

AIRBRUSHES - AIR COMPRESSORS - AIR FITTINGS

AIRBRUSHES



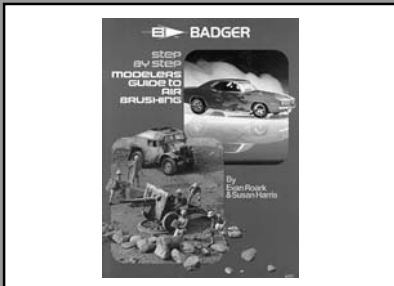
ACCESSORIES



COMPRESSORS



BOOKS



AIR HOSES



ABRASIVE GUN	242
AIR-OPAQUE AIRBRUSH PAINTS	250
AIR BLOW GUNS	248
AIR BRUSH CLEANERS	249
AIR BRUSH HOLDER	249
AIR BRUSH KITS	243
AIR BRUSH PROPELLANT	244
AIR BRUSHING BOOKS/VIDEOS	249 - 250
AIR COMPRESSORS	244 - 245
AIR FILTER & REGULATOR GAUGE	246
AIR HOSES	245 - 246
AIR HOSE ADAPTORS	246 - 248
BADGER AIR BRUSHES	238 - 242
BADGER AIRBRUSH 100 SERIES	238 - 239
BADGER AIRBRUSH 150 SERIES	239
BADGER AIRBRUSH 155 SERIES	239
BADGER AIRBRUSH 175 SERIES	240
BADGER AIRBRUSH	
SOTAR 20/20 SERIES	242
BADGER AIRBRUSH 200 SERIES	240
BADGER AIRBRUSH 260 SERIES	242
BADGER AIRBRUSH 250 SERIES	240 - 241
BADGER AIRBRUSH 350 SERIES	241
BADGER AIRBRUSH 360 SERIES	241
BADGER AIRBRUSH	
RENEGADE SERIES	241 - 242
BADGER NEEDLES	254
BADGER SPARES	251 - 256
CLEAN POT AIRBRUSH CLEANER	249
COLOUR CUP	243
COMPRESSOR OIL	250
HOBBY ABRASIVE GUN	242
IN-LINE MOISTURE FILTER	246
LATEX GLOVES	251
NEEDLE JUICE	249
PAINT SPRAY RESPIRATORS	250
PROPELLANT REGULATOR	243
PTFE TAPE	248
SPARE TYRE ADAPTORS	243
SPRAY BOOTH	245/256
STENCIL FILM	250
TYRE INFLATION COMPRESSOR	248
TYRE PRESSURE GAUGES	248
VIVAZ AIR BRUSH KITS	243 - 244

CONVERTS

SQUIRES MODEL & CRAFT TOOLS

BADGER AIRBRUSHES BASIC INFORMATION

ACTION - refers to the Trigger function of the Airbrush

SINGLE ACTION AIRBRUSH, trigger controls the airflow. The amount of sprayed material is adjusted by turning/setting a needle (colour) adjustment screw. When the trigger is depressed, a pre-set amount of material is sprayed. Single action is simpler for applying uniform even coats of colour without any notable shade or tone variation, and is almost always preferred for single colour and basic spray coating applications.

DUAL ACTION AIRBRUSH, trigger controls both air and material flow (press down on the trigger for air, pull back on the trigger for material flow adjustment). Preferred for "artistic" applications as it allows the user to vary spray pattern while and enables the artist to go from fine to wide lines (and vice-versa) without limitation. Dual action is preferred for shading effects and colour gradations, as well as being more proficient for detail airbrush applications and truer realism effects.

MIX - refers to the manner in which air and material come together while Airbrushing.

EXTERNAL MIX the air and paint mix outside the Airbrush, producing a coarse round spray pattern, which is preferable for larger surface coverage and volume spray applications

INTERNAL MIX the air and paint mix inside the airbrush, producing a precisely atomized "fine dot" spray pattern, and is preferred for precision finishing needs, such as colour gradations, shading effects, and fine lines.

FEED - refers to the place of entry and manner which the sprayed material enters the Airbrush.

BOTTOM FEED Airbrushes have the material enter through a siphon tube or colour cup that is attached to the bottom of the Airbrush and should have at least 18 PSI (Pressure Per Square Inch) while spraying to operate properly. The Bottom Feed Airbrush is best for general and production applications as it uses more material without having to frequently fill the material reservoir allowing (or causes) the artist to work at a brisker pace, enabling faster spray application when desired.

GRAVITY FEED Airbrushes pulls material into the airbrush through a top-mounted colour reservoir allowing the airbrush to be operated at a lower pressure (as low as 8 PSI) for improved airbrush control making it easier to do finer detail work as the finishing process can be done at a more deliberate pace.

SIDE FEED Airbrush allows the user to work with a swivel side cup allowing more flexibility for Airbrushing in difficult to reach areas or on contoured pieces. Many Artist prefer side feed Airbrushes for detail applications because the side feed cup also eliminates any sight line obstruction to the needle tip when doing "close in" intricate detail work. Operates best at approximately 12 PSI.

DUAL FEED Airbrush has the ability to be used as either gravity feed or bottom feed depending on the user's varying application needs. This type of airbrush is patented and exclusive to Badger Air-Brush Co.

NOZZLE SIZE - you must use the right size nozzle/needle size with the right spray medium for optimum performance.

FINE/1 best suited to Low Viscosity mediums:- Inks, Watercolours, Dyes, Stains and Gouache.

MEDIUM/3 best suited to:- Airbrush ready Paints, Properly thinned Acrylics, Lacquers, Enamels, Urethanes, and special application material such as Food Airbrushing Colours, Tanning Solution, Airbrush Cosmetics, Body Paint.

HEAVY/5 best suited to Heavy Pigmented and higher Viscosity materials:- Glazes, Gesso, Latex and Varnish.

AIRBRUSH RECOMMENDED APPLICATION TABLE

APPLICATION	BEST TYPE OF AIRBRUSH
Automotive/Hard Surface Custom Finishing	DA, IM, GF (or SF)
Auto Nick & Scratch Touch Up	SA, IM, BF
T-Shirt/Textile Painting	DA, IM, BF
General Hobby Finishing	SA, IM, BF
Fine Scale Detail Model Finishing	DA, IM, GF (or SF)
Fine Art	DA, IM, BF
Commercial Art/Illustration	DA, IM, GF (or SF)
Decorative Painting	DA, IM, BF
Scrap Booking & Stencilling	SA, IM, BF
Base Coating & Glazing (Ceramics, Woodwork, Taxidermy etc)	SA, EM, BF
Home & Small Bakery Cake Decorating	DA, IM, GF
Production Bakery Decorating	DA, IM, BF
Fingernail Art	DA, IM, GF
Airbrush Tanning	DA, IM, BF
Cosmetic/Make-Up	DA, IM, GF
Body Art	DA, IM, BF
Sign Painting	DA, IM, BF
Woodwork Finishing & Antiquing	DA, IM, BF
Taxidermy Basecoat Applications	SA, EM, BF
Taxidermy Detailing	DA, IM, GF (or SF)
Fishing Lure Painting	SA, IM, BF
Volume Spray Production Application	SA, EM, BF

BADGER 100 SERIES AIRBRUSHES

BADGER 100 SERIES offers precision performance for a soft spray pattern and tight line detail. The 100 Series features correctly proportioned body weight providing perfect balance and comfort for the most exacting professional applications. **FEATURES:-**
 *Self-lubricating PTFE needle bearing enables continuous proper paint flow and prevents needle wear. *Non-slip, one-piece trigger.
 *PTFE head seal assures efficient air flow. *Winged back lever design for easy reassembly and smooth trigger control.
 Fine (F) - pencil line to 2" (51mm) spray pattern
 Medium (M) - 1/32" (0.8mm) to 2 1/2" (63mm) spray pattern
 Heavy (H) - 1/16" (1.5mm) to 3" (76mm) spray pattern

BADGER 100 SIDE FEED SERIES AIR BRUSH A traditional photo retoucher's airbrush, the 100 side feed has a rotational colour cup for horizontal or vertical work. Fine artists, Photo Retouchers, and Illustrators will find this model to be efficient. (Available in left or right hand models with Fine nozzle/needle).



CODE	TYPE	PRICE
BA1001	Badger 100 Series Side Feed Air Brush.....	£99.99

BADGER 100G GRAVITY FEED SERIES AIR BRUSH is designed for detail. It features a permanent, top-mounted 1/16oz. (2ml) colour cup angled to allow work on horizontal surfaces. Perfect for:- Fine Artists, Illustrators, and Cake Decorators. (Available in Fine or Medium).



CODE	TYPE	PRICE
BA1003	Badger 100G Gravity Feed Air Brush Fine.....	£114.99
BA10032	Badger 100G Gravity Feed Air Brush Medium...	£114.99

SQUIRES MODEL & CRAFT TOOLS

BADGER 100LG GRAVITY FEED SERIES AIR BRUSH the airbrush runs the gamut from fine detail to background coverage. A 1/3 oz. (10.5ml) permanently mounted colour cup lets you get close to your work, and allows easy cleaning and colour changing. The long-standing choice for:- Fine Artists, Illustrators, and Decorative Painters. Available as Fine or Medium.



CODE	TYPE	PRICE
BA1005	Badger 100G Gravity Feed Air Brush Fine.....	£114.99
BA1006	Badger 100G Gravity Feed Air Brush Medium...	£114.99

BADGER 100SG GRAVITY FEED SERIES AIR BRUSH for extremely fine precision work, the 100 SG has a built-in fluid cavity. It's the choice of professional Fingernail Artists. (Available as Fine and/or Medium).



CODE	TYPE	PRICE
100SG	Badger 100SG Gravity Feed Air Brush Fine.....	£114.99

BADGER 150 SERIES AIRBRUSHES

BADGER 150 SERIES AIRBRUSH is a Bottom Feed, Dual Action, Internal Mix Air Brush. The versatility of the 150® allows for a broad range of applications, making it the "classic" Airbrush in the Badger line. The 150® accepts a 3/4 oz colour cup for small volume painting needs, or three larger sized jars can be used for bigger jobs. Used by everyone from Artists to Taxidermists and Auto Customizers to Furniture Refinishers. The airbrush sprays properly reduced:- Acrylics, Acrylic Enamels and Lacquers, Gouaches, Fabric Colours, Water Colours, Inks, Dyes, Air-Opaque™, Air-Tex®, MODELflex®, Totally Tattoo® and Totally Tan® Airbrush Colours. Available as Fine, Medium and a set containing all 3 heads and needles.

FEATURES

- Choose 1/4 oz. (7ml) free-standing colour cup, 3/4 oz. (22ml), 2 oz. (60ml), or 3 oz. (90ml) paint jars
- Colour cup and one-piece jar adaptor taper-fit for quick colour changing
- Self-lubricating PTFE needle bearing enables continuous proper paint flow and prevents needle wear
- PTFE head seal assures efficient air flow
- Winged back lever design and one piece, non-slip trigger for easy reassembly and smooth control
- Fine (F) - pencil line to 2" (51mm) spray pattern
- Medium (M) - 1/32" (0.8mm) to 2 1/2" (63mm) spray pattern
- Heavy (H) - from 1/16" (1.5mm) to 3" (76mm) spray pattern



CODE	TYPE	PRICE
BA1501	Badger 150 Bottom Feed Air Brush Medium.....	£114.99
BA1502	Badger 150 Bottom Feed Air Brush Fine.....	£114.99
BA1505	Badger 150 Bottom Feed Air Brush Set F/M/L....	£174.99

BADGER 155 SERIES AIRBRUSHES

BADGER 155 ANTHEM SERIES AIRBRUSH a Dual Action, Internal Mix, Bottom Feed Air Brush. The Anthem®, Model 155, is the most comfortable, reliable, proficient, cost effective, user friendly airbrush ever. The two angle needle tip precisely mates with the Anthem's cone shaped nozzle enabling a single needle/nozzle configuration to spray virtually any desired material, thus eliminating the need for fine, medium, or large needle/nozzle variations. The Anthem's body design provides exacting balance and long term user comfort. The Anthem® provides flawless performance.

FEATURES

- Single needle/nozzle for spraying all mediums, inks, dyes, water-colours, acrylics, enamels, lacquers, glazes, latex, Air-Opaque^a, Air-Tex®, MODELflex® Totally Tattoo® and Totally Tan^a colours
- Single needle/nozzle sprays pencil lines to 3" (76mm) spray pattern
- Minimal spare parts to stock
- Easy maintenance and cleaning
- Fastest needle release on the market
- Finger tight assembly tolerances
- Excellent for multiple applications, novice to advanced airbrushers
- Lifetime warranty on labour and PTFE seals
- Fine replacement parts now available
- BA1551** includes: Anthem Airbrush 1/4oz colour cup, 1oz and 2oz jars.
- BA1557** includes: Anthem Airbrush with braided hose, 2 x 1oz and 1 x 3oz jars and colour cup.
- BA1559** includes: Anthem with jars, colour cup, extra tip and needle, a braided hose all in a case.



CODE	TYPE	PRICE
BA1551	Badger 155 Anthem Airbrush.....	£114.99
BA1557	Badger 155 Anthem Airbrush.....	£124.99
BA1559	Badger 155 Anthem Airbrush Set in Case.....	£169.99
41-004	Badger Tip Medium for: 155, 175, 200NH & 360.	£5.40
51-048	Badger Needle for: 155, 200NH & 360.....	£7.99
41-043	Badger Spare Guarded Spray Regulator for:200.	£8.99
51-071	Badger Head for: 360, 155 & 3155.....	£14.99

SQUIRES GIFT VOUCHERS

Supplied with a quality card redeemable at any of our exhibition stands, by mail order or at our shop.

- GV5 - Gift Voucher Value £5.00
- GV10 - Gift Voucher Value £10.00
- GV20 - Gift Voucher Value £20.00

SQUIRES MODEL & CRAFT TOOLS

BADGER 175 SERIES AIRBRUSHES

BADGER 175 CRESCENDON SERIES AIRBRUSH is a Dual Action, Internal Mix, Bottom Feed Air Brush. The Crescendo®, Model 175, is the Airbrush designed by professionals for professional production airbrushing. This durable, versatile airbrush works continuously with precision and efficiency. Spray regulators and tips change easily for greater flexibility on the fly. Snap-off handle allows for quick needle changes and cleaning. Suitable for:- T-Shirt Artists, Fine Artists, Fabric Designers, Custom Automotive Painters, Model Painters, and Taxidermists. It sprays properly reduced:- Acrylics, Enamels, Lacquers, Gouaches, Fabric Colours, Inks, Dyes, Ceramic Colours and Glazes, Watercolours, Air-Opaque®, Air-TeX®, MODELflex®, Totally Tattoo® and Totally Tan® Airbrush Colours.

BA1757 set contains:- Crescendo Airbrush with all 3 Heads & Needles, 2 x 2oz jars, 1 x 3/4" jar, 1/4 oz colour cup, 8' Braided Hose.

BA1759 set contains:- Crescendo Airbrush with medium and large head and needles, braided air hose, 1oz & 2oz jars all in a case.

FEATURES

Usable with 1/4oz. (7ml) free-standing colour cup, 3/4oz. (22ml), 2oz. (60ml), or 3oz. (90ml) paint jars

Self-lubricating PTFE needle bearing enables continuous proper paint flow

Winged back lever design for easy reassembly and smooth trigger control

One-piece, non-slip, trigger with ergo-comfort trigger cushion

Easy maintenance and cleaning

Snap-off handle for quick needle changes and cleaning

Easy change tips and head assemblies...no tools required

Fine (F) - spray width ranges from pencil line to 2" (51mm spray pattern)

Medium (M) - 1/32" (0.8mm) to 2 1/2" (63mm spray pattern)

Heavy (H) - 1/16" (1.5mm) to 3" (76mm spray pattern)

Lifetime warranty on labour and PTFE seals



CODE	TYPE	PRICE
BA1751	Badger 175 Crescendo Air Brush Fine.....	£114.99
BA1752	Badger 175 Crescendo Air Brush Medium.....	£114.99
BA1753	Badger 175 Crescendo Air Brush Large.....	£114.99
BA1757	Badger 175 Crescendo Air Brush F/M/L.....	£129.99
BA1759	Badger 175 Crescendo Air Brush Set in Case.....	£169.99

BADGER 200 SERIES AIRBRUSHES

SINGLE ACTION, INTERNAL MIX SERIES Badger's 200® Series offers the ease of single action operation while providing the fine spray pattern of internal mix paint atomization for professional results. Depressing the trigger releases a pre-set amount of colour which can be regulated by turning a needle adjustment screw at the back of the airbrush handle. Once the desired paint flow is set the airbrush will maintain the preset spray pattern until the user chooses to change it.

BADGER 200NH UNIVERSAL SERIES AIRBRUSH the simplicity of use makes this the top choice for the advanced Model Painter or Decorative Stenciller. Also an excellent airbrush for:- Painting Posters, Auto Detailing and Ceramics. The Model 200 will spray Inks, Dyes, Watercolours, Gouaches, properly reduced Acrylics, Fabric Paints, Modelling Paints, Automotive Lacquers and Enamels, most Ceramic Stains and Glazes, Air-TeX®, Air-Opaque® and MODELflex® Airbrush Colours. (Available in a single head design or detail design).

BA2003 contains: 200 medium Airbrush, airbrush propellant, propellant regulator, vinyl hose, 2 paint jars.

FEATURES

Choice of 3/4 oz. (22ml), 2 oz. (60ml), or 3 oz. (90ml) paint jars, and 1/4 oz. (7ml) free- standing colour cup (Bottom feed only)

Colour cup and one-piece jar adaptor taper-fit for quick colour change (Bottom feed only)

Self-lubricating PTFE needle bearing enables continuous proper paint flow and prevents needle wear

PTFE head seal assures efficient air flow

Non-slip, one-piece trigger

Medium (M) - 1/32" (0.8mm) to 2 1/2" (63mm) spray pattern



CODE	TYPE	PRICE
BA2003	Badger 200 Universal Series Air Brush Set.....	£69.99

BADGER 250 SERIES AIRBRUSHES

BADGER 250 SERIES AIRBRUSH a Single Action, External Mix with a Bottom Feed. The 250 Airbrush is perfect for jobs requiring large overall coverage with medium to heavy viscosity materials. Modelling, School Projects, Home Improvement Projects, WorkShop Jobs, Ceramic Underglazing, Fogging, Texturing and Stencilling can all be handled by the Model 250. The spray pattern can be adjusted from 3/4" (19mm) to 2" (50.8mm) simply by turning the paint tip. The Model 250 uses 3/4 oz. (22ml) or 2 oz. (60ml) jars. BA2502 contains:- 250 Spray Gun, regulator and hose. BA2503 contains:- 250 spray gun, proplent, regulator and vinyl hose.



CODE	TYPE	PRICE
BA2502	Badger 250-2 Series Air Brush.....	£17.99
BA2503	Badger 250-2 Series Air Brush Set.....	£27.99

SQUIRES GIFT VOUCHERS

Supplied with a quality card redeemable at any of our exhibition stands, by mail order or at our shop.

GV5 - Gift Voucher Value £5.00
GV10 - Gift Voucher Value £10.00
GV20 - Gift Voucher Value £20.00

SQUIRES MODEL & CRAFT TOOLS

BADGER 250-4 SERIES AIRBRUSH is the same as the 250, but features a larger body shape and a 4oz. (120ml) capacity jar.

FEATURES

Sprays virtually any properly reduced material
Operates on 20 to 50 PSI. (1.4 to 3.5 bar)
Adaptable to compressors, CO2 tanks and aerosol propellant cans
250-4 has up to 4 oz material capacity for larger jobs



CODE	TYPE	PRICE
BA2504	Badger 250-4 Series Air Brush.....	£34.99

BADGER 350 SERIES AIRBRUSHES

BADGER 350 SERIES is an external mix airbrush. Air and paint mix outside the Airbrush, creating a larger, coarser "dot" pattern and providing a heavier spray volume. The 350® is superb for:- Base Coating, Stenciling, Stippling, Touch Up Projects, etc. An excellent choice for Beginning Students, Hobbyists, Ceramists, and Automotive Painters. This model sprays high viscosity materials such as:- Ceramic Glazes and Stains, and Hobby Enamels with ease. It is also effectively used with properly reduced Acrylics, Inks, Dyes, Watercolours, Acrylic Lacquers, Enamels, Air-Opaque™, Air-Tex®, Spectra-Tex® and MODELflex® Airbrush Colours. **BA3509** contains:- 350 Medium Airbrush, Regulator and Vynil Hose.

FEATURES

Choice of 3/4 oz. (22ml), 2 oz. (60ml), or 3 oz. (90ml) paint jars, or 1/4 oz. (7ml) free-standing colour cup
Colour cup and one-piece jar adaptor taper-fit for quick colour changes
Sprays higher viscosity materials
Excellent for more volumous spray projects
Constructed of high-impact nylon
Solvent and chemical resistant
Nozzles/needles made of precision manufactured metals
Fine (F) - 1/8" (3mm) to 2" (51mm) spray pattern
Medium (M) - 1/4" (6mm) to 2 1/2" (63mm) spray pattern
Heavy (H) - 1/2" (12mm) to 3" (76mm) spray pattern



CODE	TYPE	PRICE
BA3509	Badger 350 Series Air Brush Medium Head.....	£44.99
50-308	Jar Adaptor 33mm Fast Blast for: 350/Paasche...	£4.25
51-009	Badger Siphon Tube 2" for 50-208 & 50-308.....	£1.69
50-0483	Badger 1/4oz Colour Cup for 350.....	£9.99

BADGER AIRBRUSH SPARES

We are able to supply any Badger Airbrush Spares that are current items. If you have any requirements not listed - please contact us with the Badger Part Number and we will be pleased to advise availability.

BADGER 360 SERIES AIRBRUSHES

BADGER UNIVERSAL 360 SERIES AIRBRUSH is a Dual Feed, Dual Action, Internal Mix Airbrush. The Universal® Model 360 is the only airbrush capable of performing in a gravity feed as well as a bottom feed mode. Never before has one airbrush provided so much versatility. It is two airbrushes in one. **BA3601** contains:- 360 Universal Airbrush, 2 x 3/4oz Jars and Jar adaptor.

FEATURES

360° front end rotation to allow for either gravity or bottom feed usage
Single nozzle/needle sprays from pencil lines to 3" (76mm) spray pattern
Single size nozzle/needle design for spraying all materials, acrylics to watercolours, inks to lacquers, Air-Opaque™, Air-Tex®, MODELflex®, Totally Tattoo®, Spectra-Tex® and Totally Tan™ airbrush paints
Easy access needle assembly
Finger tight assembly tolerances
Correct weight apportionment balance system
Ultra comfort, ergonomically correct trigger cushion
Lifetime warranty on labour, rotational seal and PTFE seals
Fine replacement parts now available



CODE	TYPE	PRICE
BA3601	Badger Universal 360 Series Air Brush.....	£164.99

BADGER RENEGADE SERIES AIRBRUSHES

BADGER RENEGADE SERIES AIRBRUSH the Renegade Airbrushes aren't for everybody - they are for the proven elite Artist. This new Airbrush series consists of three feature loaded Airbrushes - The Velocity, The Spirit, and The Rage. The Renegades are for use in extremely detailed and tight Graphic applications. These incredibly innovative Airbrushes possess the most precise paint tip and linear air flow (needle) angle specifications, and feature manufacturing processes and materials technology never before utilised by the Airbrush industry. The Renegade Airbrushes are superior to anything that precedes them in a dedicated custom graphics Airbrush. They truly take Airbrushing to the next level. Any professional artist desiring the finest tools and to elevate their skill to its highest level needs to experience the beauty and perfection of the Renegade airbrushes.

BADGER RENEGADE VELOCITY SERIES AIRBRUSH is a Gravity Feed, Dual Action, Internal Mix Airbrush with a .21mm Paint Tip, 6° Linear Air Flow Angle. Can spray from a thin Hair Line to 1". Suitable for the following Mediums:- Acrylics, Lacquers and Urethanes.



CODE	TYPE	PRICE
BAR1V	Badger Renegade Velocity R1V Air Brush.....	£159.99

SQUIRES MODEL & CRAFT TOOLS

BADGER RENEGADE SPIRIT SERIES AIRBRUSH is a Side Feed, Dual Action, Internal Mix Airbrush with a .21mm Paint Tip, 6° Linear Air Flow Angle. Can spray from a thin Hair Line to 1". Suitable for the following Mediums:- Acrylics, Lacquers and Urethanes



CODE	TYPE	PRICE
BAR2S	Badger Renegade Spirit R2S Series Air Brush...	£159.99

BADGER RENEGADE RAGE SERIES AIRBRUSH is a Bottom Feed, Dual Action, Internal Mix Airbrush with a .21mm Paint Tip, 6.5° Linear Air Flow Angle. Can spray from a thin Hair Line to 1". Suitable for the following Mediums:- Acrylics, Lacquers, Textile and Urethanes



CODE	TYPE	PRICE
BAR3R	Badger Renegade Rage R3R Series Air Brush..	£159.99

BADGER SOTAR 20/20 SERIES AIRBRUSHES

BADGER SOTAR 20/20-1 SERIES AIRBRUSH is a Dual Action, Internal Mix, Gravity Feed Air Brush. The 20/20® provides the professional illustrator with an airbrush capable of producing the ultimate in fine line detail. It is more precise, more comfortable, and more reliable than any competitor. When fine line detail or the finest paint atomization for a "soft" spray pattern is required, SOTAR® is the only choice. Finely pigmented properly reduced paints, Water Colours, Inks, Dyes, and Low Viscosity Acrylics can be sprayed with the 20/20®. The elongated body maintains an efficient distance between trigger and paint reservoir. The trigger and back lever assemble easily thanks to our innovative "track and winged" design. The 20/20-2® with mounted 1/12 oz. colour cup allows for extended use before having to add colour. The original design 20/20-1® with small paint reservoir is perfect for intricate detail work requiring minimal paint usage



CODE	TYPE	PRICE
2020-1	Badger Sotar 20/20-1 Series Air Brush Fine.....	£179.99

BADGER SOTAR 20/20-2 SERIES AIRBRUSH is a Dual Action, Internal Mix, Gravity Feed Air Brush. The 20/20® provides the professional illustrator with an airbrush capable of producing the ultimate in fine line detail. It is more precise, more comfortable, and more reliable than any competitor. When fine line detail or the finest paint atomization for a "soft" spray pattern is required, SOTAR® is the only choice. Finely pigmented properly reduced paints, Water Colours, Inks, Dyes, and Low Viscosity Acrylics can be sprayed with the 20/20®. The elongated body maintains an efficient distance between trigger and paint reservoir. The trigger and back lever assemble easily thanks to our innovative "track and winged" design. The 20/20-2® with mounted 1/12 oz. colour cup allows for extended use before having to add colour.

Fine (Black) - "Hair" line to 3/4" (19mm) spray pattern.
Medium (White) - Pen line to 1" (25mm) spray pattern.
Large (Clear) - Pencil line to 1-1/4" (31mm) spray pattern.



CODE	TYPE	PRICE
2020-2	Badger Sotar 20/20-2 Series Air Brush Medium.	£179.99

BADGER 260 SERIES AIRBRUSHES

BADGER 260 SERIES HOBBY ABRASIVE GUN creates an endless variety of effects in Glass Etching, or cuts Monograms in Wood or Metal. The 260® can also prep:- Wood, Plastic, and Metal surfaces and curved, hard to reach areas for refinishing. Realistic weathering effects are easily achieved using this gun. The Model 260® will handle 220 grit, or finer abrasive materials.

CONSTRUCTION

The 260® is made of high-impact delrin and precision metal parts. The tip is hardened steel. Badger's Aluminum Oxide Abrasive is specially ground to a 220 grit for use with the 260 Abrasive Gun. Available in 12oz. (340g) and 5lb. (2.27kg) jars.



CODE	TYPE	PRICE
BA260-1	Badger 260 Series Abrasive Gun.....	£49.99
50-260	Aluminium Oxide Abrasive 12oz.....	£7.99
50-270	Aluminium Oxide Abrasive 5lbs.....	£27.99
50-263	Abrasive Tip for: 260.....	£6.85
50-264	Pick-up Tube for 250 & 260.....	£3.19
50-265	Pick-up Adjusting Screw for: 260.....	£3.50
50-266	Heavy Strength Air Hose 8' for 260.....	£9.99
50-267	4oz Jar with Lid.....	£3.35
50-269	O-Ring for: 260.....	£2.10
50-271	Spares Kit (inc 50-263/4/5).....	£11.99

BADGER AIRBRUSH SPARES

We are able to supply any Badger Airbrush Spares that are current items. If you have any requirements not listed - please contact us with the Badger Part Number and we will be pleased to advise availability.

**OUR SHOP IS OPEN AT
100 LONDON ROAD BOGNOR REGIS
Monday - Saturday 9.00 to 5.30**

SQUIRES MODEL & CRAFT TOOLS

1/4 oz COLOUR CUP a self-standing colour cup for the 150,175 and 200 series models.
Capacity 1/4 oz (7cc).



CODE	TYPE	Model	PRICE
50-0482	1/4oz Colour Cup.....	150,155,175,200.....	£9.99

BADGER SPARE JARS a 1oz & 2oz replacement jars supplied with lid. Also very useful just as paint storage jars etc.
For use with Badger models:- 150, 155, 200, 250 & 350 series.



CODE	TYPE	PRICE
50-0052	Badger Spare Jar 1oz.....	£0.90
50-0053	Badger Spare Jar 2oz.....	£2.50

BADGER FLUID FILTER a microscreen filter of high quality stainless steel, for use with all air brushes that use jars or bottles. It will only pass those particles that would normally flow through an air brush. The fluid filter will eliminate clogging, pre-straining and paint loss. The filter easily slides off for cleaning.



CODE	TYPE	PRICE
50-2016	In-Jar F/Filter fits Old Siphon Tube 50-025.....	£7.99
50-2017	In-Jar F/Filter fits New Siphon Tube 51-009.....	£7.99

PROPELLANT REGULATOR used to connect air hoses with M5 fitting to a can of airbrush propellant. Used to adjust propellant pressure from 10 to 50 PSI. The control allows finer adjustments of the spray pattern, also prolongs the life of propellant.



CODE	TYPE	PRICE
200-012	L/C Propellant Regulator.....	£3.99
50-200	Badger Propel Regulator.....	£9.50
50-117	Badger Plunger & O- Ring for 50-200.....	£4.99
50-118	Badger O-Ring for 50-200 Plunger.....	£1.69
50-119	Badger Air Regulator Washer for 50-200.....	£1.69

SPARE TYRE ADAPTORS

SPARE TYRE VALVE ADAPTOR a small adaptor which allows the propellant can regulator to be connected to the valve of a car spare tyre making use of the tyre pressure to power the airbrush. Note the tyre must be on a rim and inflated to 40 PSI.



CODE	TYPE	PRICE
200-002	L/C Spare Tyre Adaptor.....	£3.50

BADGER SPARE TYRE VALVE ADAPTOR a spare tyre from a car can be used as a power source for an air brush by using this adaptor. Insert the adaptor into the regulator valve and attach to the spare tyre. Note the tyre must be on a rim and inflated to 40 PSI.



CODE	TYPE	PRICE
50-029	Badger Spare Tyre Adaptor use with 50-200.....	£6.50

AIR BRUSH KITS

VIVAZ BASIC SPRAY GUN a small single action bottom feed spray gun that will handle medium to heavy viscosity material, ideal for spraying larger areas. It is ideal for modelling, craft and decorative work. The spray pattern can be adjusted from 3/4" to 2" by turning the paint tip at the front of the gun. The body is moulded in high impact solvent resistant nylon, the paint tip and other major components are metal. Operates on 15 - 50 PSI. Includes Air brush, 1oz jar, vinyl hose, propellant regulator valve and 1/4 BSP pipe thread adaptor.



CODE	TYPE	PRICE
200-650	Vivaz Basic Single Action Spray Gun.....	£9.99
200-052	1oz Spare Jar for Vivaz Air Brush.....	£0.79

AIR BRUSH KIT a low cost kit which features a single action, bottom feed, external mix air brush, ideal for spraying larger areas and heavier materials such as stains and enamels. Ideal for hobby, automotive craft work. The spray pattern is adjustable from 1/8" to 2". Manufactured from a tough plastic and resistant to solvents. The kit includes:- Air brush, propellant regulator, 6' vinyl air hose, pipe connector, 3/4oz jar, 2oz jar, head wrench.



CODE	TYPE	PRICE
A25989	Air Brush Kit.....	£14.99
200-043	Paint Jar 22cc for A25989 etc.....	£2.00
200-042	Paint Jar 50cc for A25989 etc.....	£2.20
26691	Paint Jar with Jar Adaptor for A25989.....	£4.99

VIVAZ DUAL ACTION AIR BRUSH KIT a low cost kit which features a dual action, bottom feed, internal mix air brush, ideal for spraying a range of materials including inks, dyes, stains, acrylics and enamels. Ideal for hobby, automotive and craft work. The spray pattern is adjustable, minimum spray width 0.5mm. The air hose fitting to the airbrush is 1/8" BSP male. The kit includes:- Air brush, 1oz jar with jar adaptor and head wrench. All supplied in a plastic case. Note - requires air hose and fittings to connect to the source of air.



CODE	TYPE	PRICE
200-121	Vivaz Dual Action Bottom Feed Air Brush Kit.....	£39.99
200-052	1oz Spare Jar for Vivaz Air Brush.....	£0.79
200-701	Vivaz Air Brush Body - 70001.....	£9.50
200-702	Vivaz O Ring - 70002.....	£1.25
200-703	Vivaz Spray Nozzle - 70003.....	£3.50
200-704	Vivaz Fluid Tip - 70004.....	£8.50
200-705	Vivaz Securing Nut - 70005.....	£3.50
200-706	Vivaz Nozzle Cap - 70006.....	£3.50
200-707	Vivaz Spacer - 70007.....	£2.50
200-708	Vivaz Needle Securing Nut - 70008.....	£3.50

CONTINUED OVER

SQUIRES MODEL & CRAFT TOOLS

200-709	Vivaz Needle Screw - 70009.....	£3.50
200-710	Vivaz Spring - 70010.....	£1.25
200-711	Vivaz Packing Screw - 70011.....	£2.00
200-712	Vivaz Needle Screw - 70012.....	£2.00
200-713	Vivaz Needle - 70013.....	£6.00
200-714	Vivaz Tail Cover - 70014.....	£3.50
200-715	Vivaz Trigger - 70015.....	£3.00
200-716	Vivaz Adjustment Screw - 70016.....	£2.50
200-717	Vivaz Complete Valve Assembly - 70017.....	£9.50
200-722	Vivaz Colour Cup - 70022.....	£6.00
200-721	Vivaz Jar Cover - 70023.....	£4.00

GRAVITY FEED DUAL ACTION AIR BRUSH a low cost airbrush with a permanently mounted large colour cup. The airbrush is a dual action, gravity feed, internal mix air brush, ideal for spraying a range of materials including inks, dyes, stains, acrylics and enamels. Ideal for detail spraying in hobby, automotive and craft applications. The spray pattern is adjustable, minimum spray width 0.5mm. The set includes:- Air brush with permanent large top colour cup, head wrench and pipette. The air hose fitting to the airbrush is 1/8" BSP male. Supplied in a plastic case. Note - requires air hose

and fittings to connect to the source of air.



CODE	TYPE	PRICE
200-725	Vivaz D/Act A/Brush with Lge Top Colour Cup....	£39.99
200-201	Vivaz Needle Cap - 72201.....	£3.00
200-222	Vivaz Nozzle Cap - 72202.....	£3.00
200-203	Vivaz Spray Nozzle - 72203.....	£9.50
200-204	Vivaz Body Shell - 72204.....	£6.00
200-205	Vivaz Needle O Ring - 72205.....	£1.25
200-206	Vivaz Screw For O Ring - 72206.....	£2.50
200-207	Vivaz Needle Chuck - 72207.....	£3.50
200-208	Vivaz Needle Spring - 72208.....	£2.00
200-209	Vivaz Spring Stop - 72209.....	£3.50
200-210	Vivaz Needle - 72210.....	£6.00
200-211	Vivaz Needle Stop Screw - 72211.....	£2.00
200-212	Vivaz Tail Cap - 72212.....	£6.00
200-213	Vivaz Needle Adjuster - 72213.....	£3.50
200-214	Vivaz Push Button Parts - 72214.....	£5.00
200-217	Vivaz Air Valve Parts Complete - 72217.....	£9.50
200-224	Vivaz Air Tube Parts - 72224.....	£3.00
200-226	Vivaz Cup Lid - 72226.....	£3.00
200-227	Vivaz Colour Cup With Nut & Spacer - 72227.....	£8.50

AIRBRUSH PROPELLANT

AIRBRUSH PROPELLANT airbrush propellant in a range of can sizes. Suitable for powering Badger Airbrushes and most other makes of airbrush.

For best results:-
 * Keep can upright.
 * Shake the can periodically.
 * Never stand or immerse can in warm water.



CODE	TYPE	PRICE
200-300	Badger Air Brush Propellant 300ml.....	£4.99
200-499	Badger Air Brush Propellant 500ml.....	£5.99
200-750	Badger Air Brush Propellant 750ml.....	£7.99

AIR COMPRESSORS

SPRAYCRAFT ENTRY LEVEL COMPRESSOR an entry level compressor (EL) is suitable for use with fine and medium nozzle internal mix airbrushes and best suited for use with gravity feed airbrushes. The output pressure is adjustable to suit various media. The case includes an airbrush holder and pressure gauge. Supplied with adaptors for most common airbrushes and a recoil vinyl hose.



Specification

Air Flow.....	0.28cfm (8 L/min) @10psi
Motor.....	110W 230Vac
Air outlet.....	1/8" BSP Male (with various adaptors)
Maximum pressure.....	51psi (3.4 bar)
Weight.....	3kg

CODE	TYPE	PRICE
200-027	SprayCraft Entry Level Compressor 2027.....	£119.99

SPRAYCRAFT BASIC GENERAL PURPOSE COMPRESSOR a general purpose compressor suitable for use with all internal and external airbrushes with quiet running and maintenance free operation. Includes a pressure gauge and moisture trap with one air outlet. Supplied with adaptors for most common makes of airbrushes and a recoil vinyl hose.



Specification

Air Flow.....	0.57cfm (16 L/min)
Motor.....	70watt 230Vac
Air outlet....	1 x 1/8" BSP Male (with various adaptors)
Maximum pressure.....	80psi (5.3 bar)
Weight.....	5.5kg

CODE	TYPE	PRICE
200-028	SprayCraft General Purpose Compressor 2101.....	£139.99

IF THERE ARE OTHER PRODUCTS THAT YOU WOULD LIKE US TO STOCK, PLEASE FEEL FREE TO LET US KNOW.

SQUIRES MODEL & CRAFT TOOLS

SPRAYCRAFT GENERAL PURPOSE COMPRESSOR a general purpose compressor suitable for use with all internal and external airbrushes. The output pressure is adjustable to suit various media. The compressor features auto on/off facility for quiet running and maintenance free operation. Includes a pressure regulator, pressure gauge, moisture trap and two air outlets. Supplied with adaptors for most common makes of airbrushes and a recoil vinyl hose.



Specification

Air Flow.....0.57cfm (16 L/min) @10psi
 Motor.....70watt 230Vac
 Air outlet....2 x 1/8" BSP Male (with various adaptors)
 Maximum pressure.....80psi (5.3 bar)
 Weight.....5.5kg

CODE	TYPE	PRICE
200-501	SprayCraft Gen Purpose Compressor 2501.....	£189.99

SPRAYCRAFT GENERAL PURPOSE PLUS COMPRESSOR a general purpose compressor suitable for use with all internal and external airbrushes. The output pressure is adjustable to suit various media. The compressor features a 2.5 litre air tank, auto on/off facility for quiet running and maintenance free operation. Includes a pressure regulator, pressure gauge, moisture trap and two air outlets. Supplied with adaptors for most common makes of airbrushes and a recoil vinyl hose.



Specification

Air Flow.....0.57cfm (16 L/min)
 Air tank capacity.....2.5Lt
 Motor.....70watt 230Vac
 Air outlet....2 x 1/8" BSP Male (with various adaptors)
 Maximum pressure.....80psi (5.3 bar)
 Weight.....8kg

CODE	TYPE	PRICE
200-500	S/Craft GenPurpose Plus Compressor 2500.....	£249.99

SPARY BOOTH

PORTABLE SPRAY BOOTH a mains powered portable spary both with a replaceable filter. The Booth features a manual turntable. The booth folds down to 42 x 15 x 24cm when not in use, width when is use 40cm. The mains cord is stored in a small compartment, for large items 2 units can be joined and used together. An exhaust hose kit is also available allowing the expelled air from the back of the unit to be vent to an open window or door. The kit screws to the back of the booth, a large diameter flexi hose has a flat exhaust port for the dor or window.



CODE	TYPE	PRICE
200-005	Portable Spray Booth.....	£84.99
200-106	Portable Spray Booth x 2.....	£159.99
200-502	Exhaust Kit for Portable Spray Booth.....	£19.99
200-006	Portable Spray Booth Spare Filter.....	£5.99

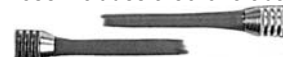
AIR HOSES

VINYL AIR HOSES flexible lightweight vinyl air hoses. Fitted with female ends, length 5'.



CODE	TYPE	PRICE
200-011	L/C Vinyl Air Hose 5' M5 Female - M5 Female....	£4.99
200-040	L/C Vinyl Air Hose 5' 1/8" Female - 1/8" Female..	£4.99

BADGER VINYL AIR HOSE flexible lightweight air hoses ideal for use with propellant cans. The 8' hose includes a 50-023 adaptor.



CODE	TYPE	PRICE
50-001	Badger Vinyl Air Hose 5ft/1.52m.....	£8.99
50-0011	Badger Vinyl Air Hose 8'/2.44m includes 50-023.	£13.99

COILED HOSE 2M heavy duty vinyl air hoses. Two types are available:- 1/4" BSP female to M5 female or 1/4" BSP female to 1/8" female for connecting to Vivaz airbrushes. Suitable for use with a CO2 tank or a compressor. **Not suited to Badger Airbrushes.**



CODE	TYPE	PRICE
200-103	Coiled Hose 2M 1/4" BSP - M5.....	£8.99
200-101	Coiled Hose 2M 1/4" BSP - 1/8".....	£8.99

**OUR SHOP IS OPEN AT
 100 LONDON ROAD BOGNOR REGIS
 Monday - Saturday 9.00 to 5.30**

SQUIRES MODEL & CRAFT TOOLS

BRAIDED HOSE 2M heavy duty braided air hoses. Two types are available:- 1/4" BSP female to M5 female or 1/4" BSP female to 1/8" female for connecting to Vivaz airbrushes. Suitable for use with a CO2 tank or a compressor.



CODE	TYPE	PRICE
200-100	Braided Hose 2M 1/4" BSP - 1/8" Vivaz.....	£9.99
200-202	Braided Hose 2M 1/4" BSP - M5 Badger.....	£9.99

BADGER BRAIDED HOSE 10' a heavy duty braided air hose with small female fitting to connect with the airbrush, the other has a female 1/4" BSP with an inner female thread which will allow the hose to be connected to a Propel Regulator. Suitable for use with a CO2 tank or a compressor. Available with in-line moisture filter fitted.



CODE	TYPE	PRICE
50-2011	Badger Braided Hose 10' with 1/4" Fitting.....	£22.99
50-2025	Badger 10' Braided Hose with Moisture Filter.....	£39.99

IN-LINE MOISTURE FILTERS

DRAINABLE IN-LINE MOISTURE FILTER for use with Badger's braided hose when a compressor is used. The moisture filter will assist with protecting the work from condensation.



CODE	TYPE	PRICE
50-2014	Drainable Moisture Trap.....	£24.99

MINI IN-LINE MOISTURE FILTER an in-line drainable moisture filter ideal for use with 1/8" BSP airbrushes. The end fittings are 1/8" BSP male and female. Ideal for use with products 200-121 and 200-727 and similar airbrushes. Can also be used in small air lines.



CODE	TYPE	PRICE
200-021	Mini In-Line Moisture Filter.....	£9.99

IN-LINE MOISTURE SEPARATOR an in-line moisture separator with 1/4" BSP threads, male and female at the bottom. The water is drained off through the base.



CODE	TYPE	PRICE
200-561	In-Line Moisture Separator.....	£10.99

MOISTURE FILTER AND REGULATOR GAUGE a mini air filter and regulator gauge. Used for reducing the air pressure from larger compressors when smaller low pressure air tools such as airbrushes are being used. The filter ensures clean air is supplied to the airbrush, the regulator is adjusted by a rotary control to achieve the optimum result. The inlet and outlet of the manifold are 1/4" BSP female, it is supplied with 2 unions; 1/4" male to 1/8" male BSP and 1/4" male to 1/4" male BSP. Not suited to small compressors which have a design operating pressure of around 30 psi. An example would be our compressor 200-306.



CODE	TYPE	PRICE
200-020	Moisture Filter & Regulator Gauge.....	£19.99

AIR FILTER AND REGULATOR GAUGE a combined air filter and regulator gauge. Used for reducing the air pressure from larger compressors when smaller low pressure air tools such as airbrushes are being used. The filter ensures clean air is supplied to the airbrush, the regulator is adjusted by a rotary control to achieve the optimum result. A wall mounting bracket is included. The inlet and outlet of the manifold are 1/8" BSP female, it is supplied with 2 brass unions, 1/8" male to 1/8" male BSP taper. Note; Not suited to small compressors which have a design operating pressure of around 30 psi. An example would be our compressor 200-306.



CODE	TYPE	PRICE
AFR016	Air Filter and Regulator.....	£39.99

AIR HOSE ADAPTORS

PIPE THREAD ADAPTOR adapts M5 air hose end to 1/4" BSP for connecting to a compressor or CO2 tank. Without bleed hole.



CODE	TYPE	PRICE
200-001	Pipe Thread Adaptor without Bleed Hole.....	£2.79

BADGER PIPE THREAD ADAPTOR adapts M5 air hose end to 1/4" BSP for connecting to a compressor or CO2 tank. Available with bleed hole for use with compressors without an air tank.



CODE	TYPE	PRICE
50-023	Badger 1/4" Adaptor without Bleed Hole.....	£4.99
50-0231	Badger 1/4" Adaptor with Bleed Hole.....	£4.99

AIRLINE ADAPTORS BSP MALE TO BSP MALE for joining female hose connections of different size. Use PTFE tape to ensure a sound joint.



CODE	TYPE	PRICE
A19900	Airline Adaptor 1/8" BSP Male to 1/4" BSP Male.	£2.99
200-023	Airline Adaptor 1/8" BSP Male to 1/8" BSP Male.	£4.50
A19910	Airline Adaptor 3/8" BSP Male to 1/4" BSP Male.	£2.50
A25851	Airline Adaptor 1/4" BSP Male to 1/4" BSP Male.	£2.50
25827	Airline Adaptor 1/4" BSP Male to 1/2" BSP Male.	£3.50
200-255	Airline Adaptor 1/2" BSP Male to 1/2" BSP Male.	£3.99

ADAPTOR 1/8" BSP FEMALE TO M5 MALE a useful adaptor with a 1/8" BSP female end to M5 male, allowing airbrushes with 1/8" male threads to be used with Badger type hoses with M5 female ends.



CODE	TYPE	PRICE
200-003	Adpt 1/8" BSP Female to M5 Male.....	£4.99

SWIVEL CONNECTOR 1/4" BSP a swivel connector, 1/4" BSP female to 1/4" BSP male.



CODE	TYPE	PRICE
200-601	Swivel Connector 1/4" BSP Female/Male.....	£6.99

SQUIRES MODEL & CRAFT TOOLS

3 WAY CONNECTOR 1/4" BSP a 3 way adaptor with 1/4" BSP female threads.



CODE	TYPE	PRICE
200-019	3 Way Connector 3 x 1/4" BSP Female.....	£6.99

AIRLINE ADAPTOR T PIECE ALL MALE 1/4" BSP for joining 3 female hose connections such as using 2 airbrushes from one compressor. Use PTFE tape to ensure a sound joint.



CODE	TYPE	PRICE
200-341	Airline Adpt 1/4" BSP Male T Piece.....	£6.99

AIRLINE ADAPTORS FEMALE TO MALE for joining male to female hose connections. Use PTFE tape to ensure a sound joint.



CODE	TYPE	PRICE
A19920	Airline Adpt 1/4" BSP Female to 1/8" BSP Male	£2.99
A19930	Airline Adpt 1/4" BSP Female to 1/4" BSP Male	£2.99
200-085	Airline Adpt 1/4" BSP Female to 1/2" BSP Male	£5.99
200-024	Airline Adpt 1/8" BSP Female to 1/4" BSP Male	£4.99
200-022	Airline Adpt M5 Female to 1/8" BSP Male.....	£3.75

AIRLINE ADAPTOR 1/8" HOSE END TO 1/8" BSP FEMALE a useful adaptor with a 1/8" hose end and 1/8" BSP female end, use for joining a 1/8" hose to 1/8" BSP male.



CODE	TYPE	PRICE
200-004	Airline Adpt 1/8" Hose End to 1/8" BSP Female...	£4.50

AIRLINE ADAPTOR BSP FEMALE TO BSP FEMALE for joining male to male hose connections. Use PTFE tape to ensure a sound joint.



CODE	TYPE	PRICE
A19940	Airline Adpt 1/4" BSP Female - 1/4" BSP Female	£2.50
25824	Airline Adpt 3/8" BSP Female - 1/4" BSP Female	£3.50
25825	Airline Adpt 1/2" BSP Female - 1/4" BSP Female	£4.00

PCL EURO COUPLING NUT ADAPTORS connects to most popular and European adaptor profiles (Cejn, Rectus etc.). Zinc passivated to significantly improve corrosion resistance, hard wearing steel construction. Available with 1/8" or 1/4" BSP Male or Female.



CODE	TYPE	PRICE
54414	PCL Euro Coupling 1/8" BSP Male.....	£4.50
54418	PCL Euro Coupling 1/8" BSP Female.....	£4.50
54415	PCL Euro Coupling 1/4" BSP Male.....	£4.50
54419	PCL Euro Coupling 1/4" BSP Female.....	£4.50

AIR FLOW REGULATOR for use with various air tools, rotary drills etc, enabling air flow to be regulated allowing greater speed control. Air inlet 1/4" BSP female to air outlet 1/4" BSP male.



CODE	TYPE	PRICE
30038	Air Flow Regulator 1/4"BSP M - 1/4"BSP F.....	£10.99

PCL "AIRFLOW" COUPLINGS for use with standard adaptors. BSP parallel. Positive lock single action ideally suited for most compressed air applications. Maximum airflow rate 1197L/min (42cfm) at 6.9bar (100 psi). Maximum working pressure 13.8bar (200psi).



CODE	TYPE	PRICE
37827	PCL "Airflow" Couplings 1/4" Female.....	£8.99
37833	PCL "Airflow" Couplings 1/4" Male.....	£9.40

PCL "AIRFLOW" COUPLINGS for use with standard adaptors. Positive lock single action ideally suited for most compressed air applications. Maximum airflow rate 1197L/min (42cfm) at 6.9bar (100 psi). Maximum working pressure 13.8bar (200psi).



CODE	TYPE	PRICE
37839	PCL Coupling Body Tailpiece 1/4" (1/4" ID Hose)	£14.99
37841	PCL Coupling Body Tailpiece 3/8" (3/8" ID Hose)	£13.99

PCL STANDARD & VERTEX AIR LINE COUPLING ADAPTOR screw adaptor with female 1/4" BSP thread.



CODE	TYPE	PRICE
55060	PCL Stand & Vertex Coupling 1/4"BSP Female...	£1.99

PCL STANDARD & VERTEX AIR LINE COUPLING ADAPTOR screw adaptor with male 1/4" BSP thread.



CODE	TYPE	PRICE
25790	PCL Standard & Vertex Coupling 1/4"BSP Male..	£1.99

PCL STANDARD & VERTEX AIR LINE COUPLING TAILPIECES integral adaptor tailpieces for a range of hose bore sizes.



CODE	TYPE	For Bore Size	PRICE
25792	PCL Std & Vertex Tailpiece	1/4"/6.35mm.....	£1.79
25794	PCL Std & Vertex Tailpiece	3/16"/4.75mm.....	£1.79
25795	PCL Std & Vertex Tailpiece	5/16"/7.9mm.....	£1.79
25796	PCL Std & Vertex Tailpiece	3/8"/9.5mm.....	£1.79

PCL MALE SCREW TAILPIECES a range of tailpieces with male 1/4" BSP male thread for a range of hose bore sizes.



CODE	TYPE	For Hose Bore Size	PRICE
25798	PCL Tailpiece 1/4" BSP -	1/4"/6.35mm.....	£1.89
25800	PCL Tailpiece 1/4" BSP -	3/16"/4.75mm.....	£1.89
25799	PCL Tailpiece 1/4" BSP -	5/16"/7.9mm.....	£1.89
25801	PCL Tailpiece 1/4" BSP -	3/8"/9.5mm.....	£1.89
25802	PCL Tailpiece 1/4" BSP -	1/2"/12.7mm.....	£1.89

SQUIRES MODEL & CRAFT TOOLS

PCL INDUSTRIAL EURO COUPLINGS connects to most popular and European adaptor profiles (Cejn, Rectus etc). Zinc passivated to significantly improve corrosion resistance, hard wearing steel construction. Available with 1/4" BSP Male or Female fitting.



CODE	TYPE	PRICE
54404	PCL Industrial Euro Couplings 1/4" BSP Male.....	£14.50
54407	PCL Industrial Euro Couplings 1/4" BSP Female.....	£14.50

3 PIECE 1/4" BSP AIR LINE COUPLING SET a set of couplers/adaptors that will allow the user maximum versatility and quick release facility. The set contents:- screw adaptor male thread 1/4" BSP taper, coupling adaptor female thread 1/4" BSP parallel and screw adaptor female thread 1/4" BSP taper.



CODE	TYPE	PRICE
37844	3 Piece 1/4" BSP Air Line Coupling Set.....	£12.99

PCL TWIN STANDARD COUPLING a "Y" adaptor for connecting two airtools to a single outlet.



CODE	TYPE	PRICE
25813	PCL Twin Standard Coupling.....	£35.99

POCKET AIR BLOW GUN a pocket-sized blow gun suitable for cleaning liquid, swarf or dust during manufacturing or assembly processes. Flow is controlled by turning the knurled ring on the barrel. Supplied complete with 1/4" BSP air inlet coupling and pocket clip. Maximum operating pressure 30psi (2bar).



CODE	TYPE	PRICE
43133	Pocket Air Blow Gun 43133.....	£7.99

AIR BLOW GUN a range of air blow gun suitable for cleaning liquid swarf or dust during manufacture or assembly work. Includes 1/4" bayonet quick connect. Overall length of blow gun 140mm, a long reach blow gun 230mm is also available.



CODE	TYPE	PRICE
200-916	S/L Air Blow Gun 140mm.....	£4.45
200-970	S/L Air Blow Gun 230mm.....	£5.99

AIR BLOW GUN suitable for cleaning liquid, swarf or dust during manufacture or assembly. Supplied complete with two nozzles - standard (single hole) and pepperpot (multi-hole). 1/4" BSP air inlet.



CODE	TYPE	PRICE
20572	Air Blow Gun 1/4" BSP 20572.....	£8.99

AIR BLOW GUN suitable for cleaning liquid, swarf or dust during manufacture or assembly. Supplied complete with two nozzles - standard, single hole and pepperpot multi-hole. 1/4" BSP air inlet.



CODE	TYPE	PRICE
20573	Air Blow Gun 1/4" BSP 43134.....	£9.65

PTFE TAPE

PTFE TAPE a high quality PTFE tape which is used to make an air-tight seal on threaded joints. The tape is wrapped around the male thread and when inserted into the female thread, the tape fills the space between the threads thus an air-tight seal is formed.



CODE	TYPE	PRICE
A29120	PTFE Tape.....	£0.59

TYRE PRESSURE GAUGES

TYRE PRESSURE GAUGE an Expert Quality, dual reading pressure gauge ideal for checking inflation pressure of a spare wheels being used to power airbrushes. It is graduated 6 - 50 psi in increments of one psi and 0.4 - 3.4 bar in increments of 0.1 bar. In line feature allows access to awkwardly positioned tyre valves. The gauge has valve remover and pocket clip. Blue zinc plated and polished finish. Also useful for checking the tyres on the Car.



CODE	TYPE	PRICE
26443	Tyre Pressure Gauge.....	£9.99

HAND HELD DIAL PRESSURE GAUGE a hand-held dual reading gauge with straight push-on valve chuck. Scale graduated 0-60psi in increments of two psi and 0-4bar in increments of 0.1 bar.



CODE	TYPE	PRICE
69923	Hand Held Dial Tyre Pressure Gauge.....	£4.50

TYRE INFLATION COMPRESSOR a multi-functional 12 volt DC compressor with flash light/torch beam and a pressure gauge. Ideal for inflating dinghies and sports equipment and spare tyres. Supplied with a DC car cigar lighter plug and 3M of lead. It is supplied with 2 inflating nozzles, one needle valve adaptor and hose clip-on tyre adaptor. Maximum pressure 250psi. **Note pressure gauge fitted is for guidance only.**



CODE	TYPE	PRICE
65958	12V Mini Compressor.....	£29.99

SQUIRES MODEL & CRAFT TOOLS

AIR BRUSH CLEANERS

AIR BRUSH CLEANER a solvent based air brush cleaner. Supplied in an aerosol with an applicator tube. Supplied in a 200ml aerosol.



CODE	TYPE	PRICE
GAC200	Ghiant Air Brush Cleaner 200ml.....	£5.99

BADGER AIRBRUSH CLEANER a solvent based air brush cleaner. Supplied in an aerosol with an applicator tube. A must for every airbrush user! Use this cleaner to clean away final residues of paint from head assemblies, regulators and needles etc. Supplied in a 200ml aerosol.



CODE	TYPE	PRICE
200-912	Badger Airbrush Cleaner 200ml.....	£4.99

RAILMATCH AIRBRUSH CLEANER a solvent based air brush cleaner. Supplied in an aerosol with an applicator tube. Contains 150ml.



CODE	TYPE	PRICE
199-1001	Railmatch Airbrush Cleaner 150ml.....	£6.99

3-IN-1 CLEAN POT AIR BRUSH CLEANING BOTTLE a specially designed bottle for airbrush cleaning. A small amount of water is placed in the bottom of the jar, the airbrush is then placed in the port in the lid and sprayed out, a filter prevents the contamination from leaving the jar. An airbrush holder which mounts on the top of the jar cover is also supplied. The lid can also be used as a palette or water cap.



CODE	TYPE	PRICE
200-257	3-in-1 Clean Pot Air Brush Cleaning Bottle.....	£19.99
200-258	Spare Filters for 3-in-1 Clean Pot.....	£2.99

NEEDLE JUICE

BADGER REGDAB NEEDLE JUICE helps to maintain smooth action of the trigger and eliminates needle friction due to dry paint build up. Supplied in a 1fl oz bottle.



CODE	TYPE	PRICE
B122	Badger Regdab Needle Juice 1oz.....	£6.99

AIRBRUSH HOLDER

AIRBRUSH HOLDER a quality clamp-on airbrush holder suitable for most models of airbrush. The holder clamps securely to a bench up to 48mm, the twin cradle rotates and can be swivelled. Airbrushes with a side or a top colour cup can also be held in this holder.



CODE	TYPE	PRICE
ABH001	Airbrush Holder.....	£11.99

AIR BRUSHING BOOKS & VIDEOS

HOBBY & CRAFT GUIDE TO AIR BRUSHING by Carl Caiati. An excellent 32 page guide with more than 140 full colour photographs. Includes 21 "how-to" sections such as preparation for painting, camouflage, weathering techniques and much more.



CODE	TYPE	PRICE
BA500	Hobby & Craft Guide to Air Brushing.....	£8.99

STEP BY STEP MODELLERS GUIDE TO AIR BRUSHING by Susan Harris and Evan Roark. 32 colour pages packed with information and instructions on subjects from military modelling, figures and dioramas. Important tips on how to give your models more realism.



CODE	TYPE	PRICE
BA505	Modellers Guide to Air Brushing.....	£12.99

SQUIRES MODEL & CRAFT TOOLS

AIR BRUSHING TECHNIQUES FOR CUSTOM PAINTING VOL-2

UME 2 by Carl Caiati. For the serious custom painter this 48 page book contains hundreds of step by step full colour photographs with details on special techniques, such as motorcycle tanks, surface preparation and graphics.



CODE	TYPE	PRICE
BA510	Air Brush Techniques - Custom Painting.....	£17.99

BADGER VIDEO TAPES Professional artists at work demonstrating their skills and techniques. These VHS videos are approximately 30 minutes running time.

Available while stocks last.
Price Reduced - were ~~£24.99~~
Now **£9.99**



CODE	TYPE	PRICE
BV004	A/brushing Fingernails Vol.1 Elizabeth Anthony..	£9.99
BV005	A/brushing Fingernails Vol.2 Elizabeth Anthony..	£9.99
BV006	T-Shirt/Fabric A/brushing Vol.1 Tim Mitchell.....	£9.99
BV007	T-Shirt/Fabric A/brushing Vol.2 Tim Mitchell.....	£9.99

STENCIL FILM

NO-TACK STENCIL FILM used to cut personalised reusable stencils, it combines the best features of film and paper. It's smooth, non-porous vellum like surface lets you render in nearly all media:

airbrush, brush, felt-tip marker, technical pen, knife, pencil, pastels, oils, acrylics, silk screen, etc. You can draw, shade, paint and blend colours. Can be used both sides. It will not tear or crack or stretch with age, resistant to most solvents. Leaves no ghosting and permits redrawing without feathering.



CODE	TYPE	PRICE
B461	Stencil Film Sheets 8½" x 11" Pack of 10.....	£10.99
B462	Stencil Film Sheets 11" x 17" Pack of 10.....	£18.99
B463	Stencil Film Roll 12" x 15'.....	£26.99

COMPRESSOR OIL

COMPRESSOR OIL 1LTR specialist compressor oil which meets the demands of all compressors. High viscosity, low carbon forming, anti-corrosion agent and conforms to all latest DIN specifications.



CODE	TYPE	PRICE
200-610	Compressor Oil 1Ltr.....	£12.99
50-2019	Badger Synthetic Compressor Oil 22oz.....	£23.99

BADGER AIR-OPAQUE AIRBRUSH PAINTS

BADGER AIR-OPAQUE AIRBRUSH PAINTS a range of non toxic ready to use paints specially formulated for use with airbrushes. They are 100% colourfast, do not require thinning and do not have a strong odour. 4 sets of Air-Opaque colours are available. A set of Air-TeX colours are available for fabric designs etc. Colourfast and washable when dry, Air-TeX paint remains soft and supple. All sets contain 1 oz bottles.



BA701 Primary set:- Magenta, Yellow, Blue, Green, Brown, Black & White.

BA702 Secondary set:- Scarlet, Magenta, Orange, Violet, Indigo, Aqua & Turquoise.

BA703 Supplementary set:- Flesh, Burnt Sienna, Warm Yellow, Prussian Blue, Chrome Oxide Green, Sepia & Powder Blue.

BA704 Pearl set:- Blue, Gold, Silver, Red, Yellow, Bronze & Green.

BA1101 Air-TeX set:- Crimson, Yellow, Blue, Green, Brown, White & Black.

CODE	TYPE	PRICE
BA701	Badger Air-Opaque Paints Primary Set 701.....	£25.99
BA702	Badger Air-Opaque Paints Secondary Set 702....	£25.99
BA703	Badger Air-Opaque Paints Supplement Set 703..	£25.99
BA704	Badger Air-Opaque Paints Pearl Set 704.....	£25.99
BA1101	Badger Air-TeX Textile Paints Primary Set 1101..	£25.99

PAINT SPRAY RESPIRATORS

PAINT SPRAY RESPIRATOR manufactured to EN149 (FFP1S/Spray) specifications for protection against paint, dusts and organic gases. Level of protection:- dusts 4.5x Occupational Exposure Limit and organic gases below OEL. Not for toxic fume protection.



CODE	TYPE	PRICE
SAF130	Paint Spray Mask.....	£5.99

SINGLE CARTRIDGE RESPIRATOR a low cost single cartridge respirator supplied with a gas cartridge for spray painting and organic vapours, mists and fumes of low toxicity. It is fitted with 2 outlet valves for added comfort. Spare cartridges are available.



CODE	TYPE	PRICE
109-110	L/C Single Cartridge Respirator.....	£6.99
109-111	Replacement Cartridge for L/C Respirator.....	£2.79

SQUIRES MODEL & CRAFT TOOLS

GLOVES

DISPOSABLE LATEX GLOVES light weight disposable gloves which combines dexterity and comfort with strength to protect against paints, inks, glues, resins and detergents etc. Fits left or right hand. Available in 3 sizes, supplied in packs of 10 gloves (5 pairs), 50 gloves (25 pairs) and in packs of 100 gloves (50 pairs).

Size - Size Guide

Medium - Standard ladies
Small men's
Large - Standard men's
Ex-large - Large men's



CODE	TYPE	PRICE
SAF430L	Latex Disposable Gloves Medium 10 Gloves.....	£0.99
SAF440L	Latex Disposable Gloves Medium 50 Gloves.....	£4.50
SAF450	Latex Disposable Gloves Medium 100 Gloves.....	£7.99
SAF460	Latex Disposable Gloves Large 10 Gloves.....	£0.99
SAF470	Latex Disposable Gloves Large 50 Gloves.....	£4.50
SAF480	Latex Disposable Gloves Large 100 Gloves.....	£7.99
SAF490	Latex Disposable Gloves Ex Large 10 Gloves.....	£0.99
SAF500	Latex Disposable Gloves Ex Large 50 Gloves.....	£4.50
SAF510	Latex Disposable Gloves Ex Large 100 Gloves.....	£7.99

EXPANDABLE VINYL GLOVES a range of expandable vinyl gloves, suitable for protecting the hands against degreasing and cleansing solvents, ferric chloride etchant, caustic soda based products and most other chemicals associated with the electronics industry. May be used for either left or right hand, available in small, medium and large. Supplied in bags of 10 gloves or in dispenser boxes of 100. **These gloves will not provide 100% protection under all working conditions and the user should establish suitability prior to use.**



CODE	TYPE	PRICE
109-005	Disposable Vinyl Gloves Pack of 10 Small.....	£1.09
109-007	Disposable Vinyl Gloves Pack of 100 Small.....	£7.99
109-009	Disposable Vinyl Gloves Pack of 10 Medium.....	£1.09
109-011	Disposable Vinyl Gloves Pack of 100 Medium.....	£7.99
109-013	Disposable Vinyl Gloves Pack of 10 Large.....	£1.09
109-015	Disposable Vinyl Gloves Pack of 100 Large.....	£7.99

SQUIRES GIFT VOUCHERS

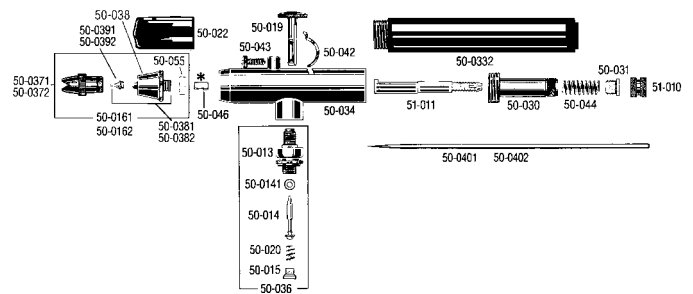
Supplied with a quality card redeemable at any of our exhibition stands, by mail order or at our shop.

GV5 - Gift Voucher Value £5.00
GV10 - Gift Voucher Value £10.00
GV20 - Gift Voucher Value £20.00

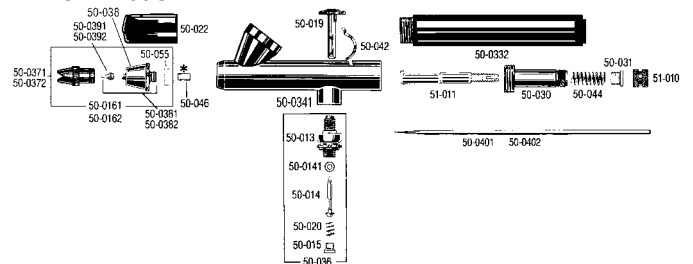
BADGER SPARES

BADGER 100/100G/100LG/100SG SERIES AIRBRUSH SPARES

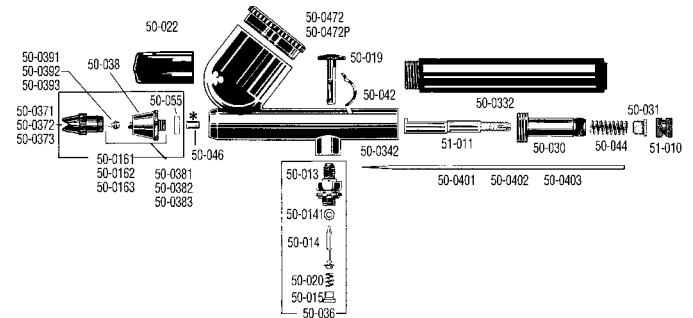
BADGER 100



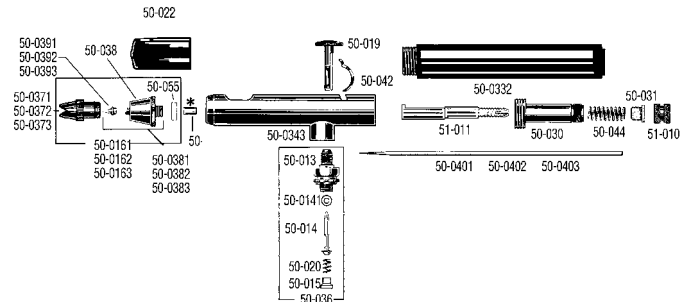
BADGER 100G



BADGER 100LG



BADGER SG



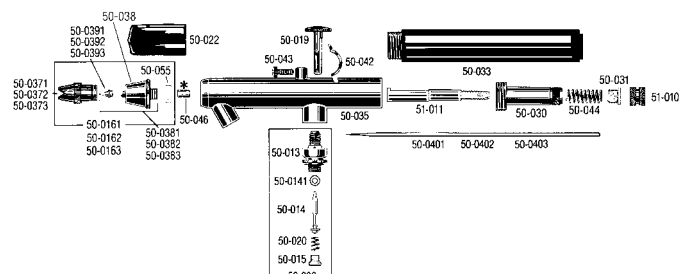
CODE	TYPE	PRICE
50-001	Badger Vinyl Air Hose 5ft/1.52m.....	£8.99
50-0011	Badger Vinyl Air Hose 8'2.44m includes 50-023.	£13.99
50-2011	Badger Braided Hose 10' with 1/4" Fitting.....	£22.99
50-2012	Badger Mini Moisture Filter with 50-2011 Hose....	£23.99
50-2015	Badger Spare Moisture Filter Only.....	£23.99
50-010	Badger Needle Chuck for Model 200.....	£3.50
50-013	Valve Casing for 100/150/155/175/200/360.....	£11.25
50-014	Plunger & O-Ring for 100,150,155,175,200,360..	£4.75
50-0141	Valve O-Ring for: 100,150,155,175,200,360.....	£1.75
50-015	Valve Screw for: 100,150,155,175,200,360.....	£3.25
50-0161	Badger Head Assembly Complete Fine	£18.99
50-0162	Badger Head Assembly Complete Medium	£18.99
50-0163	Badger Head Assembly Complete Heavy.....	£18.99
50-019	Badger Trigger for:- 100,150,155,200 & 360.....	£7.50
50-020	Badger Plunger Spring- 100,150,155,200 & 360..	£2.25
50-021	Badger Airbrush Holder for:- 100,150,200.....	£4.25
50-022	Badger Protective Rubber Cap for:- 100,150,200	£1.99

CONTINUED OVER

SQUIRES MODEL & CRAFT TOOLS

50-023	Badger 1/4" Adaptor without Bleed Hole.....	£4.99	50-0371	Badger Spary Regulator Fine for: 100,150, 200...	£8.25
50-030	Badger Tube Shank for: 100,150,155,200 & 360.....	£8.25	50-0372	Badger Spary Regulator Medium for: 100,150,200	£8.25
51-011	Badger Needle Tube for: 100, 150 & 200.....	£6.50	50-0373	Badger Spary Regulator Large for: 100,150, 200	£8.25
50-036	Com. Assembled Valve:100,150,155,175,200,36	£15.99	50-0381	Badger Tip & Head Fine for: 100, 150, 200.....	£17.75
50-0371	Badger Spary Regulator Fine for: 100,150, 200...	£8.25	50-0382	Badger Tip & Head Medium for: 100, 150, 200....	£17.75
50-0372	Badger Spary Regulator Medium for: 100,150,200	£8.25	50-0383	Badger Tip & Head Large for: 100, 150, 200.....	£17.75
50-0373	Badger Spary Regulator Large for: 100,150, 200	£8.25	50-0391	Badger Tip Fine for:- 100, 150, 200.....	£7.99
50-0381	Badger Tip & Head Fine for: 100, 150, 200.....	£17.75	50-0392	Badger Tip Medium for:- 100, 150, 200.....	£7.99
50-0382	Badger Tip & Head Medium for: 100, 150, 200....	£17.75	50-0383	Badger Tip Large for:- 100, 150, 200.....	£7.99
50-0383	Badger Tip & Head Large for: 100, 150, 200.....	£17.75	50-0401	Badger Needle Fine (1 Ring) for: 100 & 150.....	£5.99
50-0391	Badger Tip Fine for:- 100, 150, 200.....	£7.99	50-0402	Badger Needle Medium (2 Rings) for: 100 & 150.	£5.99
50-0392	Badger Tip Medium for:- 100, 150, 200.....	£7.99	50-0403	Badger Needle Large (3 Ring) for 100 & 150.....	£5.99
50-0383	Badger Tip Large for:- 100, 150, 200.....	£7.99	50-042	Badger Back Lever for: 100, 150, 155 & 360.....	£4.75
50-0401	Badger Needle Fine (1 Ring) for: 100 & 150.....	£5.99	50-044	Badger Needle Tube Spring:100,150,155,200,360	£2.25
50-0402	Badger Needle Medium (2 Rings) for: 100 & 150.	£5.99		Badger PTFE Needle Bearing: 100,150,155,200.	£5.25
50-0403	Badger Needle Large (3 Ring) for 100 & 150.....	£5.99	50-0482	Badger 1/4oz Colour Cup for: 150,155,175,200...	£9.99
50-042	Badger Back Lever for: 100, 150, 155 & 360.....	£4.75	50-0052	Badger Spare Jar 1oz.....	£0.90
50-043	Badger Adjusting Screw.....	£2.99	50-0053	Badger Spare Jar 2oz.....	£2.50
50-044	Badger Needle Tube Spring:100,150,155,200,360	£2.25	50-055	Badger PTFE Head Washer for 100, 150, 200....	£1.99
50-046	Badger PTFE Needle Bearing: 100,150,155,200.	£5.25	50-111	Badger Coupling Nut.....	£1.99
50-0472	Badger 100-LG Colour Cup Cap (Metal).....	£9.75	50-112	Badger Coupling Nipple.....	£1.99
50-111	Badger Coupling Nut.....	£1.99	50-208	Fast Blast Adaptor Plastic 150,155,175,200,360.	£3.75
50-112	Badger Coupling Nipple.....	£1.99	50-0164	Badger Conversion Fine for: 100,150.....	£22.50
50-0164	Badger Conversion Fine for: 100,150.....	£22.50	50-0165	Badger Conversion Medium for: 100,150.....	£22.50
50-0165	Badger Conversion Medium for: 100,150.....	£22.50	50-0166	Badger Conversion Heavy for: 100,150.....	£22.50
50-0166	Badger Conversion Heavy for: 100,150.....	£22.50	50-060	Badger Cleaning Reamer for: 100, 150, 200.....	£5.75
50-0472p	Badger 100-LG Color Cap (Plastic).....	£2.99	50-061	Badger 3 Cornered Reamer for: 100, 150, 200...	£7.25
50-047	Badger 1/16oz. Color Cup - 100 Side Feed.....	£9.75	50-086	Badger Wrench for: 100, 150, 200, 350.....	£2.25
50-048	Badger 1/8oz. Color Cup - 100 Side Feed.....	£9.75	51-010	Badger Needle Chuck for: 100,150,155,360.....	£3.50
50-060	Badger Cleaning Reamer for: 100, 150, 200.....	£5.75	51-224	Badger 24mm Fast Blast (All Plastic) Jar Adaptor for 150/155/175/200/360.....	£3.75
50-061	Badger 3 Cornered Reamer for: 100, 150, 200...	£7.25	50-038	Badger Head Only for: 100, 150, 200.....	£12.75
50-086	Badger Wrench for: 100, 150, 200, 350.....	£2.25	51-017	Jar Adaptor 22mm Fast Blast for:150,155,175, 200,300.....	£3.50
51-010	Badger Needle Chuck for: 100,150,155,360.....	£3.50			
50-038	Badger Head Only for: 100, 150, 200.....	£12.75			

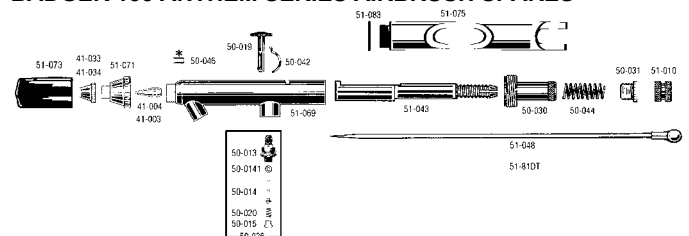
BADGER 150 SERIES AIRBRUSH SPARES



CODE	TYPE	PRICE
50-001	Badger Vinyl Air Hose 5ft/1.52m.....	£8.99
50-0011	Badger Vinyl Air Hose 8 1/2.44m includes 50-023.	£13.99
50-2011	Badger Braided Hose 10' with 1/4" Fitting.....	£22.99
50-2025	Badger 10' Braided Hose with Moisture Filter.....	£39.99
50-2014	Badger Moisture Trap (only) Transparent in-line drainable water-trap as used on 50-2025.....	£24.99
50-013	Valve Casing for 100/150/155/175/200/360.....	£11.25
50-014	Plunger & O-Ring for 100,150,155,175,200,360..	£4.75
50-0141	Valve O-Ring for: 100,150,155,175,200,360.....	£1.75
50-015	Valve Screw for: 100,150,155,175,200,360.....	£3.25
50-0161	Badger Head Assembly Complete Fine	£18.99
50-0162	Badger Head Assembly Complete Medium	£18.99
50-0163	Badger Head Assembly Complete Heavy.....	£18.99
50-019	Badger Trigger for:- 100,150,155,200 & 360.....	£7.50
50-020	Badger Plunger Spring- 100,150,155,200 & 360.	£2.25
50-021	Badger Airbrush Holder for:- 100,150,200.....	£4.25
50-022	Badger Protective Rubber Cap for:- 100,150,200	£1.99
50-030	Badger Tube Shank for: 100,150,155,200 & 360.	£8.25
50-031	Badger Spring Screw for: 100,150,155,200,360..	£4.50
51-011	Badger Needle Tube for: 100, 150 & 200.....	£6.50
50-036	Com. Assembled Valve:100,150,155,175,200,36	£15.99

CONTINUED OVER

BADGER 155 ANTHEM SERIES AIRBRUSH SPARES



CODE	TYPE	PRICE
50-019	Badger Trigger for:- 100,150,155,200 & 360.....	£7.50
50-042	Badger Back Lever for: 100, 150, 155 & 360.....	£4.75
50-046	Badger PTFE Needle Bearing: 100,150,155,200.	£5.25
41-003	Badger Tip Fine for: 175 & 3155.....	£5.40
41-004	Badger Tip Medium for: 155, 175, 200NH & 360.	£5.40
51-071	Badger Head for: 360, 155 & 3155.....	£14.99
41-033	Spare Spray Regulator Fine for: 175/3155.....	£6.50
41-034	Spare Spray Regulator Med for 175, 155, 360....	£6.50
51-073	Protective Cap (Rubber) 155, 200NH, & 360.....	£1.99
51-075	Badger Counter-Balance Handle.....	£16.50
51-043	Badger Needle Tube for: 360 & 155.....	£6.50
50-030	Badger Tube Shank for: 100,150,155,200 & 360.	£8.25
50-044	Badger Needle Tube Spring:100,150,155,200,360	£2.25
50-031	Badger Spring Screw for: 100,150,155,200,360..	£4.50
51-048	Badger Needle For: 155, 200NH & 360.....	£7.99
50-2011	Badger Braided Hose 10' with 1/4" Fitting.....	£22.99
50-0482	Badger 1/4oz Colour Cup for: 150,155,175,200...	£9.99
50-036	Com. Assembled Valve:100,150,155,175,200,36	£15.99
50-013	Badger Valve Casing 100/150/155/175/200/360	£11.25
50-014	Plunger & O-Ring for 100,150,155,175,200,360..	£4.75
50-0141	Valve O-Ring for: 100,150,155,175,200,360.....	£1.75
50-015	Valve Screw for: 100,150,155,175,200,360.....	£3.25
50-020	Badger Plunger Spring- 100,150,155,200 & 360.	£2.25

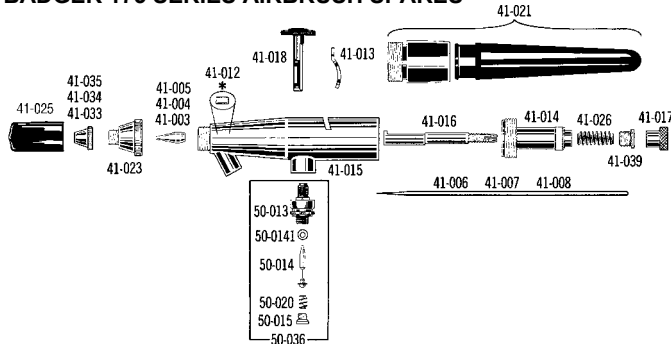
CONTINUED OVER

SQUIRES MODEL & CRAFT TOOLS

50-0052	Badger Spare Jar 1oz.....	£0.90
50-208	Fast Blast Adaptor Plastic 150,155,175,200,360..	£3.75
41-045	Badger Fine Conversion for Models 105, 155, 200NH, 360 and 3155.....	£15.99
41-046	Badger Medium conversion for Models 105, 155, 200NH, 360 and 3155.....	£15.99
51-010	Badger Needle Chuck for: 100,150,155,360.....	£3.50
51-224	Badger 24mm Fast Blast (All Plastic) Jar Adaptor for 150/155/175/200/360.....	£3.75
51-017	Jar Adaptor 22mm Fast Blast for:150,155,175, 200,300.....	£3.50

	41-005) for Model 175.....	£11.25
51-224	Badger 24mm Fast Blast (All Plastic) Jar Adaptor for 150/155/175/200/360.....	£3.75
51-017	Jar Adaptor 22mm Fast Blast for:150,155,175, 200,300.....	£3.50

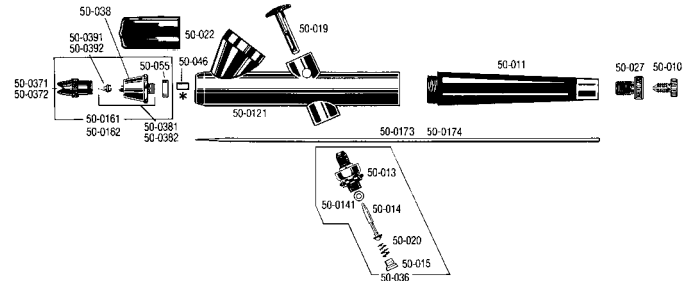
BADGER 175 SERIES AIRBRUSH SPARES



CODE	TYPE	PRICE
41-025	Badger Protective Cap (Rubber) for: 175.....	£1.99
41-033	Badger Spare Spray Regulator Fine for: 175/3155	£6.50
41-034	Spare Spray Regulator Med 175, 155 & 360.....	£6.50
41-035	Badger Spray Regulator Heavy for: 175.....	£6.50
41-023	Badger Head for: 175.....	£12.99
41-003	Badger Tip Fine for: 175 & 3155.....	£4.99
41-004	Badger Tip Medium for: 155, 175, 200NH & 360..	£5.40
41-005	Badger Tip Heavy for: 175.....	£5.40
41-018	Badger Trigger Straight for: 175.....	£8.99
41-013	Badger Back Lever for: 175.....	£4.99
41-014	Badger Tube Shank for: 175.....	£9.50
41-016	Badger Needle Tube for: 175.....	£9.50
41-026	Badger Spring Needle Tube for: 175.....	£3.25
50-031	Badger Spring Screw for: 100,150,155,200,360..	£4.50
41-017	Badger Needle Chuck for: 175.....	£4.99
41-006	Badger Stainless Steel Needle Fine for; 175.....	£5.99
41-007	Badger Stainless Steel Needle Medium for; 175..	£5.99
41-008	Badger Stainless Steel Needle Heavy for; 175....	£5.99
41-027	Badger Body O-Ring x 2 per Pack for: 175.....	£3.25
50-036	Com. Assembled Valve:100,150,155,175,200,36	£15.99
50-013	Valve Casing for 100/150/155/175/200/360.....	£11.25
50-0141	Valve O-Ring for: 100,150,155,175,200,360.....	£1.75
50-014	Plunger & O-Ring for 100,150,155,175,200,360..	£4.75
50-020	Badger Plunger Spring- 100,150,155,200 & 360..	£2.25
50-015	Valve Screw for: 100,150,155,175,200,360.....	£3.25
50-208	Fast Blast Adaptor Plastic 150,155,175,200,360..	£3.75
50-0482	Badger 1/4oz Colour Cup for: 150,155,175,200...	£9.99
51-009	Badger Siphone Tube 2" for 50-208 & 50-308....	£1.69
50-0052	Badger Spare Jar 1oz.....	£0.90
50-0053	Badger Spare Jar 2oz.....	£2.50
50-021	Badger Airbrush Holder for:- 100,150,200.....	£4.25
50-2011	Badger Braided Hose 10' with 1/4" Fitting.....	£22.99
50-2014	Badger Moisture Trap (only) Transparent in-line drainable water-trap as used on 50-2025.....	£24.99
50-090	Badger To Passche Air Hose Adaptor.....	£4.75
41-012	Badger PTFE Needle Bearing for: 175.....	£6.75
41-039	Badger Spring.Screwf. model 175.....	£4.75
41-040	Badger Fine Conversion (consists of 41-033 and 41-003) for Model 175.....	£11.25
41-041	Badger Medium Conversion (consists of 41-034 and 41-004) for Model 175.....	£11.25
41-042	Badger Heavy conversion (consists of 41-035 and	

CONTINUED OVER

BADGER SPARES FOR 200G AIRBRUSH



CODE	TYPE	PRICE
50-001	Badger Vinyl Air Hose 5ft/1.52m.....	£8.99
50-0011	Badger Vinyl Air Hose 8'/2.44m includes 50-023. £13.99	
50-2011	Badger Braided Hose 10' with 1/4" Fitting.....	£22.99
50-2012	Badger Mini Moisture Filter with 50-2011 Hose....	£23.99
50-2015	Badger Spare Moisture Filter Only.....	£23.99
50-010	Badger Needle Chuck for Model 200.....	£3.50
50-011	Badger Aluminum Handle for: 200.....	£7.50
50-013	Valve Casing for 100/150/155/175/200/360.....	£11.25
50-014	Plunger & O-Ring for 100,150,155,175,200,360..	£4.75
50-0141	Valve O-Ring for: 100,150,155,175,200,360.....	£1.75
50-015	Valve Screw for: 100,150,155,175,200,360.....	£3.25
50-0161	Badger Head Assembly Complete Fine	£18.99
50-0162	Badger Head Assembly Complete Medium	£18.99
50-0173	Badger Fine Needle for: 200 Gravity Feed only... £7.50	
50-0174	Badger Medium Needle for: 200 Gravity Feed only £7.50	
50-019	Badger Trigger for:- 100,150,155,200 & 360.....	£7.50
50-020	Badger Plunger Spring- 100,150,155,200 & 360..	£2.25
50-022	Badger Protective Rubber Cap for:- 100,150,200	£1.99
50-023	Badger 1/4" Adaptor without Bleed Hole.....	£4.99
50-027	Badger Needle Adjusting Screw for: 200.....	£2.99
50-029	Badger Spare Tyre Adaptor use with 50-200.....	£6.50
50-036	Com. Assembled Valve:100,150,155,175,200,36	£15.99
50-0371	Badger Spary Regulator Fine for: 100,150, 200... £8.25	
50-0372	Badger Spary Regulator Medium for: 100,150,200	£8.25
50-038	Badger Head Only for: 100, 150, 200.....	£12.75
50-0381	Badger Tip & Head Fine for: 100, 150, 200.....	£17.75
50-0382	Badger Tip & Head Medium for: 100, 150, 200... £17.75	
50-0391	Badger Tip Fine for:- 100, 150, 200.....	£7.99
50-0392	Badger Tip Medium for:- 100, 150, 200.....	£7.99
50-046	Badger PTFE Needle Bearing: 100,150,155,200..	£5.25
50-055	Badger PTFE Head Washer for 100, 150, 200....	£1.99
50-111	Badger Coupling Nut.....	£1.99
50-112	Badger Coupling Nipple.....	£1.99
50-200	Badger Propel Regulator.....	£9.50

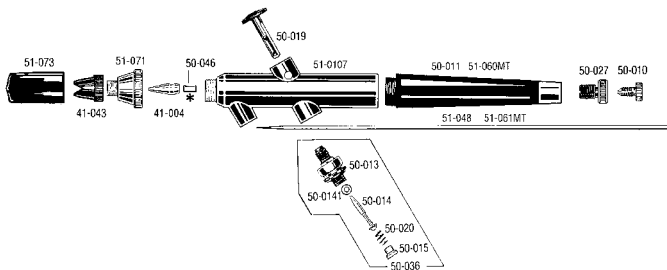
SQUIRES GIFT VOUCHERS

Supplied with a quality card
redeemable at any of our exhibition
stands, by mail order or at our shop.

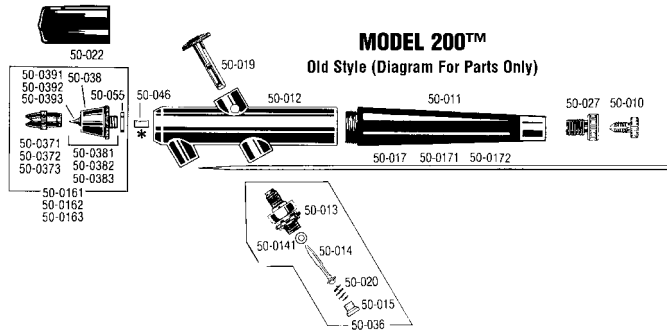
GV5 - Gift Voucher Value £5.00
GV10 - Gift Voucher Value £10.00
GV20 - Gift Voucher Value £20.00

SQUIRES MODEL & CRAFT TOOLS

BADGER 200 NEW HEAD



BADGER 200 OLD HEAD



CODE	TYPE	PRICE
51-087	Badger Trigger Pad, Black Soft.....	£2.99
50-019	Badger Trigger for:- 100,150,155,200 & 360.....	£7.50
51-073	Protective Cap (Rubber) 155, 200NH 105 & 360.....	£1.99
51-071	Badger Head for: 360, 155 & 3155.....	£14.99
50-046	Badger PTFE Needle Bearing: 100,150,155,200.....	£5.25
50-011	Badger Aluminum Handle for 200.....	£7.50
50-027	Badger Needle Adjusting Screw for: 200.....	£2.99
50-010	Badger Needle Chuck for Model 200.....	£3.50
41-043	Badger Spare Guarded Spray Regulator for:200.....	£8.99
41-004	Badger Tip Medium for: 155, 175, 200NH & 360.....	£5.40
51-048	Badger Needle For: 155, 200NH & 360.....	£7.99
50-013	Valve Casing for 100/150/155/175/200/360.....	£11.25
50-0141	Valve O-Ring for: 100,150,155,175,200,360.....	£1.75
50-014	Plunger & O-Ring for 100,150,155,175,200,360..	£4.75
50-020	Badger Plunger Spring- 100,150,155,200 & 360.....	£2.25
50-015	Valve Screw for: 100,150,155,175,200,360.....	£3.25
50-036	Com. Assembled Valve:100,150,155,175,200,36	£15.99
50-060	Badger Cleaning Reamer for: 100, 150, 200.....	£5.75
50-061	Badger 3 Cornered Reamer for: 100, 150, 200..	£7.25
50-086	Badger Wrench for: 100, 150, 200, 350.....	£2.25
51-017	Jar Adaptor 22mm Fast Blast for:150,155,175, 200,300.....	£3.50
51-224	Badger 24mm Fast Blast (All Plastic) Jar Adaptor for 150/155/175/200/360.....	£3.75
50-055	Badger PTFE Head Washer for 100, 150, 200.....	£1.99

HEAD ASSEMBLY complete assembly with Teflon head washer for air brush models 100, 150 and old style 200 series.

CODE	TYPE	Models	PRICE
50-0161	Fine Head Assembly.....	100,150,200.....	£18.99
50-0162	Medium Head Assembly.....	100,150,200.....	£18.99
50-0163	Large Head Assembly.....	100,150,200.....	£18.99

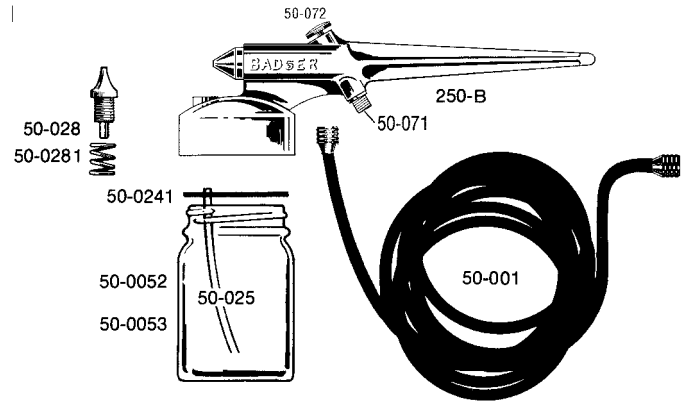
NEEDLES OLD STYLE 200 series air brush.

CODE	TYPE	PRICE
50-0172	Badger Needle Fine for: 200.....	£7.50
50-017	Badger Needle Medium for: 200.....	£7.50
50-0171	Badger Needle Large for: 200.....	£7.50

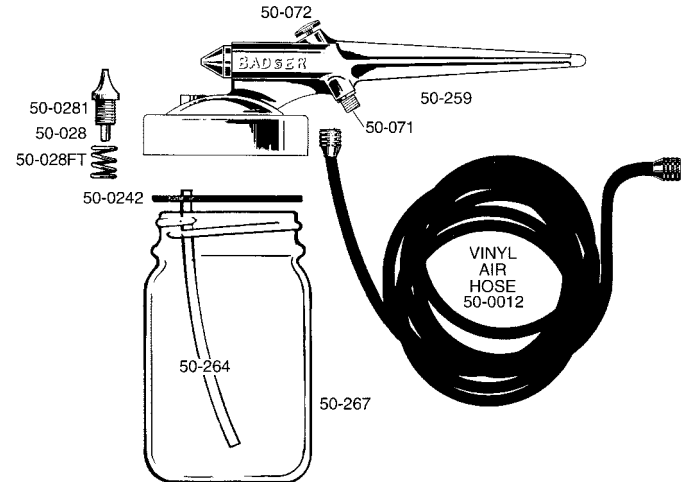
BADGER AIRBRUSH SPARES

We are able to supply any Badger Airbrush Spares that are current items. If you have any requirements not listed - please contact us with the Badger Part Number and we will be pleased to advise availability.

BADGER SPARES FOR 250 AIRBRUSH

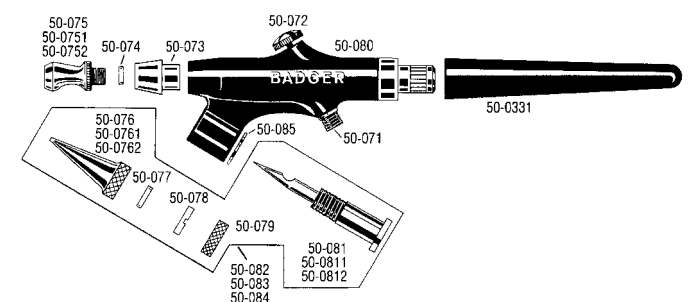


BADGER 250-4



CODE	TYPE	PRICE
50-028	Badger Paint Tip & Spring for: 250.....	£4.99
50-0052	Badger Spare Jar 1oz.....	£0.90
50-0053	Badger Spare Jar 2oz.....	£2.50
50-025	Badger Siphon Tube 2" for 50-207 & 50-307.....	£1.50
50-001	Badger Vinyl Air Hose 5ft/1.52m.....	£8.99
50-023	Badger 1/4" Adaptor without Bleed Hole.....	£4.99
50-029	Badger Spare Tyre Adaptor use with 50-200.....	£6.50
50-200	Badger Propel Regulator.....	£9.50
50-0142	Badger O-Ring for Model 250 & 350.....	£1.65
50-0242	Badger Gasket for 250 Mini Gun.....	£1.75
50-0281	Badger Large Hole Paint Tip & Spring for 250.....	£4.50
50-070	Badger Plunger & O-Ring for: 250 & 350.....	£2.99
50-071	Badger Air Hose Fitting for: 250 & 350.....	£2.99
50-072	Badger Plunger Head for: 250 & 350.....	£2.99

BADGER SPARES FOR 350 AIRBRUSH



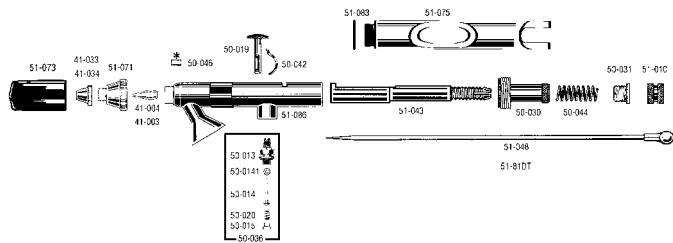
CODE	TYPE	PRICE
50-074	Badger Air Tip Seal for: 350.....	£2.25
50-073	Badger Air Tip Bushing for: 350.....	£4.99
50-072	Badger Plunger Head for: 250 & 350.....	£2.99
50-075	Badger Air Tip Fine for:350.....	£6.25
50-0751	Badger Air Tip Medium for: 350.....	£6.25

CONTINUED OVER

SQUIRES MODEL & CRAFT TOOLS

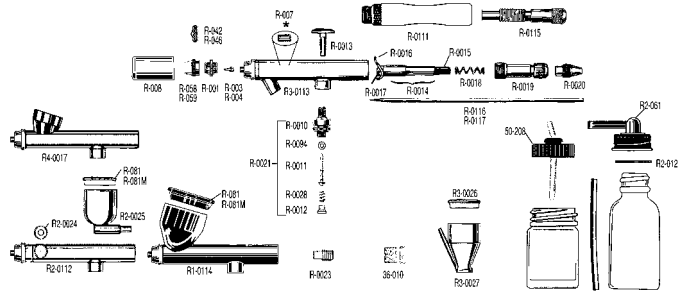
50-0752	Badger Air Tip Heavy for: 350.....	£6.25
50-071	Badger Air Hose Fitting for: 250 & 350.....	£2.99
50-085	Badger Spacer for: 350.....	£2.35
50-081	Badger Needle Fine for: 350.....	£11.75
50-0811	Badger Needle Medium for: 350.....	£11.75
50-0812	Badger Needle Heavy for: 350.....	£11.75
50-077	Badger Paint Seal for: 350.....	£1.75
50-078	Badger Paint Seal Nut for: 350.....	£2.35
50-079	Badger Lock Nut for: 350.....	£2.35
50-076	Badger Fluid Cap Fine for: 350.....	£7.99
50-0761	Badger Fluid Cap Medium for: 350.....	£7.99
50-0762	Badger Fluid Cap Heavy for: 350.....	£7.99
50-0142	Badger O-Ring for Model 250 & 350.....	£1.65
50-070	Badger Plunger & O-Ring for: 250 & 350.....	£2.99
50-082	Badger Needle Assembly Fine for: 350.....	£11.75
50-083	Badger Needle Assembly Medium for: 350.....	£17.99
50-084	Badger Needle Assembly Heavy for: 350.....	£17.99
50-086	Badger Wrench for: 100, 150, 200, 350.....	£2.25
51-018	Badger 20mm Fast Blast Jar Adaptor for 350, incl. Gasket & 1oz.....	£3.50

BADGER SPARES FOR 360 AIRBRUSH



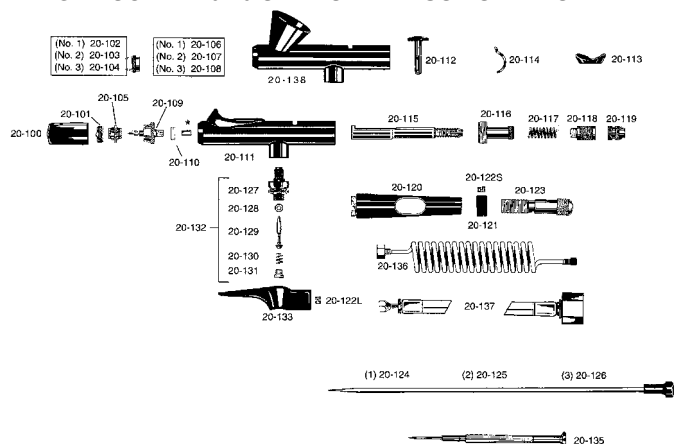
CODE	TYPE	PRICE
50-075	Badger Air Tip Fine for:350.....	£6.25
50-019	Badger Trigger for:- 100,150,155,200 & 360.....	£7.50
50-046	Badger PTFE Needle Bearing: 100,150,155,200.....	£5.25
50-042	Badger Back Lever for: 100, 150, 155 & 360.....	£4.75
41-004	Badger Tip Medium for: 155, 175, 200NH & 360.....	£5.40
51-071	Badger Head for: 360, 155 & 3155.....	£14.99
50-073	Badger Air Tip Bushing for: 350.....	£4.99
50-030	Badger Tube Shank for: 100,150,155,200 & 360.....	£8.25
50-044	Badger Needle Tube Spring:100,150,155,200,360.....	£2.25
50-031	Badger Spring Screw for: 100,150,155,200,360.....	£4.50
51-048	Badger Needle For: 155, 200NH & 360.....	£7.99
50-208	Fast Blast Adaptor Plastic 150,155,175,200,360.....	£3.75
50-0241	Badger Gaskets for Jars 50-208/308 & 250 Gun.....	£2.99
50-0052	Badger Spare Jar 1oz.....	£0.90
51-009	Badger Siphon Tube 2" for 50-208 & 50-308.....	£1.69
50-013	Valve Casing for 100, 150, 155,175, 200, 360.....	£11.25
50-0141	Valve O-Ring for: 100,150,155,175,200,360.....	£1.75
50-014	Plunger & O-Ring for 100,150,155,175,200,360.....	£4.75
50-020	Badger Plunger Spring- 100,150,155,200 & 360.....	£2.25
50-015	Valve Screw for: 100,150,155,175,200,360.....	£3.25
50-036	Com. Assembled Valve:100,150,155,175,200,36.....	£15.99
50-2011	Badger Braided Hose 10' with 1/4" Fitting.....	£22.99
41-045	Badger Fine Conversion for Models 105, 155, 200NH, 360 and 3155.....	£15.99
41-046	Badger Medium conversion for Models 105, 155, 200NH, 360 and 3155.....	£15.99
51-010	Badger Needle Chuck for: 100,150,155,360.....	£3.50
50-017	Badger 20mm Fast Blast (All Plastic) Jar Adaptor for 150/155/175/200/360, incl.....	£3.50
51-224	Badger 24mm Fast Blast (All Plastic) Jar Adaptor for 150/155/175/200/360.....	£3.75
41-034	Spare Spray Regulator Med for 175, 155, 360.....	£6.50
51-017	Jar Adaptor 22mm Fast Blast for:150,155,175, 200,300.....	£3.50
51-043	Badger Needle Tube for: 360 & 155.....	£6.50

BADGER REGECADE SERIES AIRBRUSH SPARES



CODE	TYPE	PRICE
R0-01	Badger Hold Down Ring.....	£8.99
R0-03	Badger Ultra Fine Tip (Velocity, Spirit).....	£8.50
R0-04	Badger Fine Tip (Rage).....	£8.50
R0-07	Badger PTFE Needle Bearing.....	£5.25
R0-08	Badger Protective Cap.....	£2.25
R0-42	Badger Ultra Fine Spray Reg.....	£11.99
R0-46	Badger Fine Spray Reg.....	£11.99
R0-58	Fine Spray Regulator (Protective Arm) for: Rage.....	£9.99
R0-59	Ultra Fine Spray Regulator for: Velocity, Spirit.....	£9.99
R0-81	Badger Colour Cup Cap.....	£3.25
R0-010	Badger Valve Casing.....	£7.75
R0-011	Badger Valve Plunger & "O" Ring.....	£4.75
R0-012	Badger Valve Screw.....	£3.50
R0-013	Badger Trigger.....	£8.25
R0-014	Badger Needle Tube Rocker Ass'y.....	£12.75
R0-015	Badger Needle Tube.....	£10.75
R0-016	Badger Rocker Lever.....	£4.25
R0-017	Badger Rocker Lever Pin.....	£2.99
R0-018	Badger Spring.....	£3.25
R0-019	Badger Tube Shank.....	£7.50
R0-020	Badger Needle Chuck.....	£3.99
R0-021	Badger Complete Assembled Valve.....	£15.99
R0-023	Badger Screw (Needle Seal Adjuster).....	£4.99
R2-0024	Badger Closer Plug.....	£4.75
R2-0025	Badger Spare Side Feed Colour Cup.....	£18.99
R3-0026	Badger Spare Cap for 1/4oz Colour Cup.....	£3.25
R3-0027	Badger Spare 1/4oz Colour Cup.....	£12.50
R2-0025	Badger Side Feed Colour Cup.....	£18.99
R0-028	Badger Valve Spring.....	£2.25
R0-094	Badger Valve "O" Ring.....	£1.99
R0-115	Badger Rear Adjusting Screw.....	£6.99
R0-116	Badger Ultra Fine Needle (Velocity, Spirit).....	£11.99
R0-60	Badger Ultra Fine Conversion Regecade Series.....	£27.50
R0-61	Badger Fine Conversion for Renegade Series.....	£27.50

BADGER SOTAR 20/20 SERIES AIRBRUSH SPARES



CODE	TYPE	PRICE
20-100	Badger Protective Cap.....	£2.25
20-101	Badger Spray Regulator Fine No.1.....	£17.50

CONTINUED OVER

SQUIRES MODEL & CRAFT TOOLS

20-102	Spray Regulator with Protective Arms Fine No.1	£17.50
20-103	Spray Regulator with Protective Arms Med No.2	£17.50
20-104	Spray Regulator with Protective Arms Lge No.3	£17.50
20-105	Badger Paint Tip Hold-Down Ring	£26.99
20-106	Badger Paint Tip Fine No.1	£35.99
20-107	Badger Paint Tip Medium No. 2	£35.99
20-108	Badger Paint Tip Large No.3	£35.99
20-109	Badger Nozzle Head	£27.50
20-110	Badger PTFE Nozzle Washer	£6.99
20-112	Badger Trigger	£17.99
20-113	Badger Trigger Pad	£14.99
20-114	Badger Back Lever	£5.50
20-115	Badger Needle Collet	£19.99
20-116	Badger Tube Housing	£14.99
20-117	Badger Trigger Tension Spring	£6.99
20-118	Badger Retaining Spring Screw	£15.50
20-119	Badger Chuck	£9.99
20-121	Badger Collar	£19.50
20-122L	Badger Finger Rest Set Screw Long	£4.99
20-122S	Badger Collar Set Screw Short	£4.99
20-123	Badger Paint Adjusting Screw	£19.99
20-124	Badger Needle Fine No.1 (Black)	£18.99
20-125	Badger Needle Medium No.2 (White)	£18.99
20-126	Badger Needle Large No.3 (Clear)	£18.99
20-127	Badger Air Valve Casing	£12.99
20-128	Badger Plunger O-Ring	£4.75
20-129	Badger Plunger with O-Ring	£7.75
20-130	Badger Plunger Spring	£5.75
20-131	Badger Valve Screw	£5.75
20-132	Badger Complete Air Valve Assembly	£26.99
20-133	Badger Finger/Thumb Rest	£24.99
20-134	Badger Rubber Finger Rest	£9.99
20-136	Badger Recoil Air Hose	£19.99
20-137	Badger Clear Vinyl Air Hose	£18.99

CODE	TYPE	PRICE
10-3	Badger Airbrush Techniques start to finish	£17.50
11-5	Badger Aging & Weathering Techs Start - Finish	£17.50
12-1	Badger Paint Mixer for 1oz., 3oz. and 4oz. jars	£13.99
50-0012	Badger Air hose, Vinyl, 8ft./2.44m	£8.50
50-0374	Badger Spatter Tip	£9.99
50-0471	Badger Removable Bottom for Color Cup	£3.65
50-0484	Badger Plastic Cover for 1/4oz Colour Cup	£3.99
50-051	Badger Moisture Trap	£54.99
50-054	Badger Air Regulator, Filter & Gauge	£67.50
50-091	Badger Paasche Badger Hose Adaptor	£4.75
50-115	Badger Thread Seal Tape	£1.99
50-2010	Badger 6ft. Braided hose Female 1/4" Fitting on One End with Integrated	£12.99
50-2018	Badger Braided hose, 8ft Female 1/4" fitting one End with Integrated Propel	£37.50
50-2021	10ft. braided hose with in-line water-trap, 1/4"	£33.50
50-268	Badger Collar for: 260	£2.99
51-0095	Badger Siphone Tube 2 3/4", for 1oz	£1.50
51-083	Badger O-Ring for Handle	£1.75
01-17	Badger Fine Needle	£11.99
20-12	Badger Gasket for 20mm Jar Adaptor(3 per pkg)	£3.25
20-61	Badger 20mm Jar Adaptor for Spirit	£8.25
30-026	Badger Cap for 1/4oz. Color Cup	£3.25
30-027	Badger 1/4oz. Color Cup	£12.50
51-038	BadgerQuick Disconnect Plug fits 50-2018	£12.99

SPARY BOOTH

PORTABLE SPRAY BOOTH a mains powered portable spary both with a replaceable filter. The Booth features a manual turntable. The booth folds down to 42 x 15 x 24cm when not in use, width when is use 40cm. The mains cord is stored in a small compartment, for large items 2 units can be joined and used together. An exhaust hose kit is also available allowing the expelled air from the back of the unit to be vent to an open window or door. The kit screws to the back of the booth, a large diameter flexi hose has a flat exhaust port for the dor or window.



CODE	TYPE	PRICE
200-005	Portable Spray Booth	£84.99
200-106	Portable Spray Booth x 2	£159.99
200-502	Exhaust Kit for Portable Spray Booth	£19.99
200-006	Portable Spray Booth Spare Filter	£5.99

SQUIRES GIFT VOUCHERS

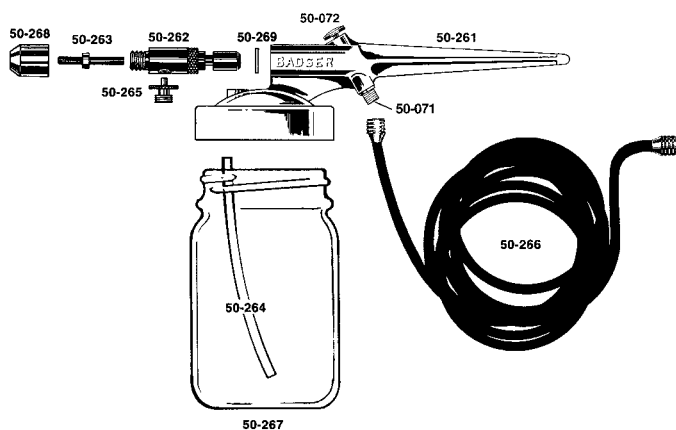
Supplied with a quality card redeemable at any of our exhibition stands, by mail order or at our shop.

GV5 - Gift Voucher Value £5.00

GV10 - Gift Voucher Value £10.00

GV20 - Gift Voucher Value £20.00

BADGER 260 ABRASIVE GUN SPARES



CODE	TYPE	PRICE
50-260	Aluminium Oxide Abrasive 12oz	£7.99
50-270	Aluminium Oxide Abrasive 5lbs	£27.99
50-263	Abrasive Tip for: 260	£6.85
50-264	Pick-up Tube for 250 & 260	£3.19
50-265	Pick-up Adjusting Screw for: 260	£3.50
50-266	Heavy Strength Air Hose 8' for 260	£9.99
50-267	4oz Jar with Lid	£3.35
50-269	O-Ring for: 260	£2.10
50-271	Spares Kit (inc 50-263/4/5)	£11.99

BADGER AIRBRUSH SPARES

We are able to supply any Badger Airbrush Spares that are current items. If you have any requirements not listed - please contact us with the Badger Part Number and we will be pleased to advise availability.