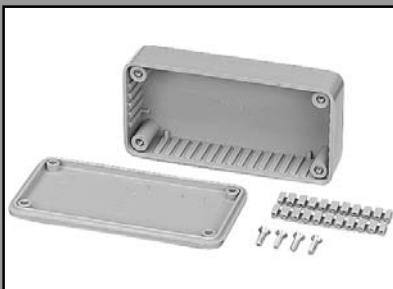


# CASES - ENCLOSURES - FEET - HARDWARE & FITTINGS

## POTTING BOXES



## MULTIPURPOSE BOXES



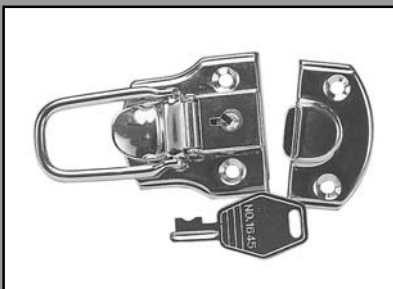
## PSU CASES



## KNOBS



## CASE ACCESSORIES



|                          |             |
|--------------------------|-------------|
| ABS BOXES                | 2046 - 2048 |
| ADHESIVE FOAM PADS       | 2056        |
| ADJUSTABLE FEET          | 2059        |
| ALUMINIUM BOXES          | 2052        |
| ARIEL FIXING ACCESSORIES | 2061 - 2062 |
| BRACKETS                 | 2058        |
| CABINET FEET             | 2059        |
| CASE CORNERS             | 2058 - 2059 |
| CASE HINGES              | 2058        |
| CASTORS                  | 2060 - 2061 |
| CATCHES                  | 2057 - 2058 |
| CD CASES                 | 2060        |
| CONSOL CASES             | 2054        |
| DESK/WALL MOUNTING BOXES | 2051        |
| HAND HELD CASES          | 2051        |
| HANDLES                  | 2056 - 2057 |
| INSTRUMENT CASES         | 2053        |
| IP BOXES                 | 2050        |
| KEY FOB CASES            | 2051        |
| KNOBS                    | 2054 - 2055 |
| MOUNTING PLATES          | 2059        |
| PCB PILLARS              | 2056        |
| PLUG-IN PSU CASES        | 2049        |
| PORTS                    | 2060        |
| POTTING BOXES            | 2046        |
| PSU CASES                | 2049        |
| SENSOR CASES             | 2049 - 2050 |
| SPACERS                  | 2055        |
| STEEL CASES              | 2052        |
| TOP HATS                 | 2060        |

CON  
N  
T  
E  
N  
T  
S

# SQUIRES MODEL & CRAFT TOOLS

## POTTING BOXES

**POTTING BOXES** Wide range of potting boxes ideal for permanent encapsulation of small circuits and assemblies.

Lids available separately, moulded in black ABS.

Temperature range -20°C to +60°C.



| CODE    | TYPE                                 | PRICE |
|---------|--------------------------------------|-------|
| 04-0000 | Potting Box 20x20x13mm.....          | £0.50 |
| 04-0002 | Lid For 04-0000.....                 | £0.20 |
| 04-0004 | Potting Box 25x25x15mm.....          | £0.50 |
| 04-0006 | Potting Box 25x25x25mm.....          | £0.50 |
| 04-0008 | Lid For 04-0004/04-0006.....         | £0.20 |
| 04-0010 | Potting Box 30x20x15mm.....          | £0.55 |
| 04-0012 | Lid For 04-0010.....                 | £0.20 |
| 04-0014 | Potting Box 40.5x13.5x16.5mm.....    | £0.55 |
| 04-0016 | Potting Box 40.5x13.5x25mm.....      | £0.55 |
| 04-0018 | Lid For 04-0014/04-0016.....         | £0.55 |
| 04-0020 | Potting Box 40x40x13mm.....          | £0.55 |
| 04-0022 | Potting Box 40x40x20mm.....          | £0.55 |
| 04-0024 | Lid For 04-0020/04-0022.....         | £0.30 |
| 04-0026 | Potting Box 45x30x15mm.....          | £0.55 |
| 04-0028 | Potting Box 45x30x25mm.....          | £0.55 |
| 04-0030 | Lid For 04-0026/04-0028.....         | £0.30 |
| 04-0032 | Potting Box 50x13x15mm.....          | £0.45 |
| 04-0034 | Lid For 04-0032.....                 | £0.20 |
| 04-0036 | Potting Box 50x50x15mm.....          | £0.65 |
| 04-0038 | Potting Box 50x50x25mm.....          | £0.65 |
| 04-0040 | Potting Box 50x50x50mm.....          | £0.70 |
| 04-0042 | Lid For 04-0036/04-0038/04-0040..... | £0.30 |
| 04-0044 | Potting Box 70.5x50.5x20mm.....      | £0.70 |
| 04-0046 | Potting Box 70.5x50x35mm.....        | £0.70 |
| 04-0048 | Lid For 04-0044/04-0046.....         | £0.30 |
| 04-0050 | Potting Box 90x60x20mm.....          | £0.70 |
| 04-0054 | Lid For 04-0050.....                 | £0.30 |
| 04-0056 | Potting Box 100x50x25mm.....         | £0.70 |
| 04-0062 | Lid For 04-0056.....                 | £0.30 |
| 04-0068 | Potting Box 100x100x40mm.....        | £0.95 |
| 04-0070 | Lid For 04-0068.....                 | £0.30 |

**POTTING BOXES** a range of miniature potting boxes moulded in black ABS which are ideal for the permanent encapsulation of small circuits. Operating temperature -20 to +90°C. Dimensions are L x W x H. Wall thickness 1mm (1.3mm for 600-025).



| CODE    | TYPE                             | PRICE |
|---------|----------------------------------|-------|
| 600-005 | Potting Box 30 x 20 x 15mm.....  | £0.30 |
| 600-010 | Potting Box 40 x 40 x 20mm.....  | £0.45 |
| 600-015 | Potting Box 50 x 50 x 30mm.....  | £0.50 |
| 600-020 | Potting Box 75 x 50 x 35mm.....  | £0.79 |
| 600-025 | Potting Box 100 x 60 x 25mm..... | £1.00 |

**POST FREE DELIVERY ON ALL ORDERS  
WITHIN THE UNITED KINGDOM  
MINIMUM ORDER VALUE £15.00**

**You may mix your order from  
ANY of our catalogues**

## ABS BOXES

**BLACK ABS BOXES** a range of small boxes moulded in black ABS which is easily drilled or punched but very strong. The lids are retained by 4 self-tapping screws. The two largest sizes have PCB slots. Dims are L x W x H.



| CODE    | TYPE                                | PRICE |
|---------|-------------------------------------|-------|
| 600-030 | Black ABS Box 75 x 50 x 25mm.....   | £1.79 |
| 600-035 | Black ABS Box 110 x 56 x 20mm.....  | £2.35 |
| 600-040 | Black ABS Box 100 x 75 x 40mm.....  | £2.75 |
| 600-045 | Black ABS Box 150 x 100 x 55mm..... | £4.99 |

**ABS BOXES** A range of boxes moulded in textured, high impact black ABS which can be easily drilled or punched. Lids are retained by 4 self tapping screws with rubber screw plugs (supplied). Printed circuit board slots are included in all sizes.



| CODE    | TYPE                                 | PRICE |
|---------|--------------------------------------|-------|
| 600-328 | Textured ABS Box 83x54x30mm.....     | £1.99 |
| 600-330 | Textured ABS Box 130x68x44mm.....    | £2.99 |
| 600-332 | Textured ABS Box 158x95x53mm.....    | £3.99 |
| 600-334 | Textured ABS Box 197.5x113x63mm..... | £4.99 |

**TWO TONE GREY ABS BOXES** a range of attractive two tone ABS boxes. The deep recessed lid is moulded in dark grey is retained by 4 self-tapping screws. The base incorporates a number of PCB slots, the cover includes four pillars to accept a PCB. Dimensions are L x W x H.



| CODE    | TYPE  | PRICE  |
|---------|---|--------|
| 600-050 | Two Tone Grey ABS Box 90 x 45 x 37mm.....   | £6.99  |
| 600-060 | Two Tone Grey ABS Box 125 x 70 x 49mm.....  | £10.99 |
| 600-065 | Two Tone Grey ABS Box 155 x 90 x 61mm.....  | £14.99 |
| 600-070 | Two Tone Grey ABS Box 190 x 110 x 74mm..... | £23.99 |

**FLANGED ABS BOXES** ideally suited for mounting small printed circuit boards or used as potting boxes. Flanged lid perfect for wall or shelf mounting or suspending with tie wrap. Screws are coloured matched (nickel plated with grey and black plated with black). 2 PCB standoffs moulded into interior. Lap joint construction provides protection against ingress of dust and splashing water.

Designed to meet IP54. Satin textured finish, moulded in a choice of black or grey general purpose ABS, complete with lid and screws.



| CODE    | TYPE                                  | PRICE |
|---------|---------------------------------------|-------|
| 04-0069 | Flanged ABS Box 35x35x20mm Black..... | £2.25 |
| 04-0072 | Flanged ABS Box 50x35x20mm Black..... | £2.50 |
| 04-0071 | Flanged ABS Box 50x50x20mm Black..... | £2.75 |
| 04-0074 | Flanged ABS Box 60x35x20mm Black..... | £2.99 |
| 04-0076 | Flanged ABS Box 80x40x20mm Black..... | £3.25 |
| 04-0077 | Flanged ABS Box 35x35x20mm Grey.....  | £2.25 |
| 04-0078 | Flanged ABS Box 50x35x20mm Grey.....  | £2.50 |
| 04-0079 | Flanged ABS Box 50x50x20mm Grey.....  | £2.75 |
| 04-0080 | Flanged ABS Box 60x35x20mm Grey.....  | £2.99 |
| 04-0082 | Flanged ABS Box 80x40x20mm Grey.....  | £3.25 |

# SQUIRES ELECTRONIC COMPONENTS

**ABS CASES** High quality grey ABS boxes. Available in a range of sizes with either flanged or standard lids. Close fitting lids are secured by screws (supplied). Boxes can be easily drilled. Slots are included on the longest two sides for vertically mounting 1.5mm thick PCBs.

Bosses moulded into base and lid allow horizontal mounting of PCBs (screws supplied).



| CODE    | TYPE                                | PRICE |
|---------|-------------------------------------|-------|
| 04-0100 | ABS Case 80x60x40 Std Lid.....      | £2.75 |
| 04-0102 | ABS Case 80x60x40 Flange Lid.....   | £2.99 |
| 04-0104 | ABS Case 125x80x50 Std Lid.....     | £3.75 |
| 04-0106 | ABS Case 125x80x50 Flange Lid.....  | £3.99 |
| 04-0108 | ABS Case 125x100x60 Std Lid.....    | £4.75 |
| 04-0110 | ABS Case 125x100x60 Flange Lid..... | £4.99 |
| 04-0112 | ABS Case 125x100x90 Std Lid.....    | £6.25 |
| 04-0114 | ABS Case 125x100x90 Flange Lid..... | £6.75 |
| 04-0116 | ABS Case 150x100x60 Std Lid.....    | £6.75 |
| 04-0118 | ABS Case 150x100x60 Flange Lid..... | £6.99 |
| 04-0120 | ABS Case 150x100x90 Std Lid.....    | £7.15 |
| 04-0122 | ABS Case 150x100x90 Flange Lid..... | £7.50 |
| 04-0124 | ABS Case 175x125x70 Std Lid.....    | £7.75 |
| 04-0126 | ABS Case 175x125x70 Flange Lid..... | £8.15 |

**MULTIPURPOSE ABS BOXES** high quality, multipurpose ABS boxes available in a range of sizes. The boxes can be readily drilled and can withstand temperatures of up to 85°C. All sizes incorporate slots on four internal faces for vertically mounting 1.5mm thick PCB's, and are supplied with slotted adaptor bars, which allow horizontal mounting. The close fitting, flanged lids are secured by screws (supplied) running into threaded bushes in the base. Dimensions are L x W x H.



| CODE    | TYPE                                       | PRICE  |
|---------|--|--------|
| 600-312 | Multipurpose ABS Box 55 x 55 x 42mm.....   | £3.75  |
| 600-314 | Multipurpose ABS Box 75 x 50 x 27mm.....   | £3.99  |
| 600-315 | Multipurpose ABS Box 85 x 56 x 40mm.....   | £5.25  |
| 600-425 | Multipurpose ABS Box 100 x 50 x 25mm.....  | £4.75  |
| 600-430 | Multipurpose ABS Box 112 x 62 x 31mm.....  | £5.15  |
| 600-435 | Multipurpose ABS Box 120 x 65 x 40mm.....  | £6.50  |
| 600-440 | Multipurpose ABS Box 150 x 80 x 50mm.....  | £6.75  |
| 600-445 | Multipurpose ABS Box 190 x 110 x 60mm..... | £12.25 |
| 600-335 | Multipurpose ABS Box 240x200x65mm.....     | £21.99 |

**ABS BOXES WITH CLEAR LIDS** a range of ABS boxes with clear lids, suitable for applications where the contents of the box needs to be seen during operation, whilst retaining the protection of the lid. Ideal for display and demonstration work, prototypes, development and education, where the contents of the box can be seen but not interfered with. Dimensions are L x W x H.



| CODE    | TYPE                                    | PRICE  |
|---------|---|--------|
| 600-450 | Clear Lid ABS Box 100 x 50 x 40mm.....  | £4.99  |
| 600-455 | Clear Lid ABS Box 120 x 65 x 60mm.....  | £5.99  |
| 600-460 | Clear Lid ABS Box 150 x 80 x 76mm.....  | £7.99  |
| 600-465 | Clear Lid ABS Box 190 x 110 x 90mm..... | £13.50 |

**ABS PROJECT CASE** An ABS box with pre-drilled 2.54mm pitch matrix board with copper pads, ideal for projects and prototypes. Dimensions 59 x 87 x 31mm.

Matrix board requires no cutting to fit. 5mm hole in lid for LED mounting. Supplied complete with self-adhesive feet and fixing screws.



| CODE    | TYPE                  | PRICE |
|---------|-----------------------|-------|
| 04-0138 | ABS Project Case..... | £2.75 |

**MINIATURE ABS BOXES** a range of miniature ABS boxes with a matt black finish which snap together.

All edges and corners are rounded, ideal for hand held applications. Dimensions are L x W x H.



| CODE    | TYPE                                    | PRICE |
|---------|---|-------|
| 600-080 | Mini Black ABS Box 56 x 31 x 24mm.....  | £3.75 |
| 600-085 | Mini Black ABS Box 80 x 56 x 24mm.....  | £3.99 |
| 600-090 | Mini Black ABS Box 131 x 66 x 30mm..... | £5.99 |

**MINIATURE MULTIPURPOSE ABS BOXES** a range of miniature boxes manufactured in matt black ABS with the smallest measuring just 34 x 16 x 24mm

Supplied with 4 black No. 2 self-tapping screws for lid fixing. Can easily be drilled or punched for a variety of miniature applications.



| CODE    | TYPE  | PRICE |
|---------|---|-------|
| 600-156 | Mini Multipurpose ABS Box 34 x 16 x 24..... | £1.45 |
| 600-157 | Mini Multipurpose ABS Box 40 x 18 x 28..... | £1.50 |
| 600-158 | Mini Multipurpose ABS Box 46 x 20 x 32..... | £1.65 |
| 600-159 | Mini Multipurpose ABS Box 54 x 23 x 38..... | £2.25 |
| 600-160 | Mini Multipurpose ABS Box 64 x 25 x 43..... | £2.40 |
| 600-161 | Mini Multipurpose ABS Box 74 x 29 x 49..... | £2.50 |

**MINIATURE ABS BOX** a range of miniature ABS boxes ideally suited for mounting small printed circuit boards or as potting boxes. With screws that are colour matched (nickel plated with grey and black plated with black), 2 PCB standoffs moulded into interior and a satin texture finish. Lap joint construction provides protection against ingress of dust and splashing water. Designed to meet IP54 and moulded in a choice of black or grey general purpose ABS. Complete with lid and two self tapping screws.



| CODE    | TYPE                                      | PRICE |
|---------|---|-------|
| 04-2025 | Miniature ABS Box Black 35 x 35 x 20..... | £2.35 |
| 04-2026 | Miniature ABS Box Black 50 x 35 x 17..... | £1.99 |
| 04-2027 | Miniature ABS Box Black 50 x 50 x 20..... | £2.50 |
| 04-2028 | Miniature ABS Box Black 60 x 35 x 17..... | £2.30 |
| 04-2030 | Miniature ABS Box Black 80 x 40 x 17..... | £2.40 |
| 04-2031 | Miniature ABS Box Grey 35 x 35 x 20.....  | £2.35 |
| 04-2032 | Miniature ABS Box Grey 50 x 35 x 17.....  | £1.99 |
| 04-2033 | Miniature ABS Box Grey 50 x 50 x 20.....  | £2.50 |
| 04-2034 | Miniature ABS Box Grey 60 x 35 x 17.....  | £2.30 |
| 04-2036 | Miniature ABS Box Grey 80 x 40 x 17.....  | £2.40 |

# SQUIRES MODEL & CRAFT TOOLS

**ABS BOXES** Small ABS boxes with rounded profile. Comfortable shape for hand held equipment, ideal for pocket sized equipment. Matt textured finish, moulded in bosses for PCB mounting. 04-0142 has a recessed area 97 x 41mm for labels etc. The two halves of 04-0146 are fixed by two screws.



| CODE    | TYPE                              | PRICE |
|---------|-----------------------------------|-------|
| 04-0140 | ABS Box 78x37x21mm Snap Fit.....  | £2.99 |
| 04-0142 | ABS Box 83x40x24mm Snap Fit.....  | £2.99 |
| 04-0144 | ABS Box 100x50x24mm Snap Fit..... | £3.50 |
| 04-0146 | ABS Box 100x50x24mm Screw.....    | £3.50 |

**ABS CASE** a range of textured finish ABS enclosures which incorporate a recessed panel to accept labels and logos etc. The cases are secured with four screws which are hidden by the four rubber feet supplied. They include PCB guides and bosses for easy PCB installation and one size of case is supplied with a battery compartment to accept 1x PP3 or AA batteries. Available in light grey or black.



### Technical Specification

| External dimensions |           |            | Battery     | Colour     | Order code |
|---------------------|-----------|------------|-------------|------------|------------|
| Length(mm)          | Width(mm) | Height(mm) | compartment |            |            |
| 92                  | 57        | 25.4       | No          | Light grey | 04-3620    |
| 111                 | 83        | 38         | No          | Light grey | 04-3622    |
| 111                 | 83        | 38         | Yes         | Light grey | 04-3624    |
| 143                 | 83        | 38         | No          | Light grey | 04-3626    |
| 175                 | 124       | 38         | No          | Light grey | 04-3628    |
| 111                 | 83        | 38         | No          | Black      | 04-3632    |
| 111                 | 83        | 38         | Yes         | Black      | 04-3634    |
| 143                 | 83        | 38         | No          | Black      | 04-3636    |
| 175                 | 124       | 38         | No          | Black      | 04-3638    |

| CODE    | TYPE          | PRICE |
|---------|---------------|-------|
| 04-3620 | ABS Case..... | £2.99 |
| 04-3622 | ABS Case..... | £3.75 |
| 04-3624 | ABS Case..... | £4.50 |
| 04-3626 | ABS Case..... | £4.75 |
| 04-3628 | ABS Case..... | £6.99 |
| 04-3632 | ABS Case..... | £4.25 |
| 04-3634 | ABS Case..... | £4.50 |
| 04-3636 | ABS Case..... | £4.75 |
| 04-3638 | ABS Case..... | £6.99 |

**FLANGED MULTIPURPOSE ABS BOXES** miniature boxes with mounting flanges, manufactured in textured black ABS. Supplied with four black No 2 self tapping screws for secure lid fixing. Can be drilled or punched for a variety of applications.



### Technical Specification

| Internal dimensions (mm) |        |         |
|--------------------------|--------|---------|
| Length**                 | Depth* | Width** |
| 32                       | 13     | 22      |
| 38                       | 15     | 26      |
| 44                       | 17     | 30      |
| 52                       | 20     | 36      |
| 62                       | 22     | 42      |
| 72                       | 25     | 48      |

\* Depth with lid fitted

\*\* The screw pillars intrude into the boxes by 4 x 4mm in each corner.

| CODE    | TYPE                                     | PRICE |
|---------|--|-------|
| 600-317 | Flanged Multipurpose Box 32x13x22mm..... | £1.75 |
| 600-319 | Flanged Multipurpose Box 38x15x26mm..... | £1.75 |
| 600-320 | Flanged Multipurpose Box 44x17x30mm..... | £1.99 |
| 600-322 | Flanged Multipurpose Box 52x20x36mm..... | £2.45 |
| 600-324 | Flanged Multipurpose Box 62x22x42mm..... | £2.75 |
| 600-326 | Flanged Multipurpose Box 72x25x48mm..... | £2.99 |

**BLACK ABS ENCLOSURES** a range of matt black ABS cases specifically designed for pocket-sized electronic equipment. Models 600-115 and 600-120 incorporate a battery compartment which will accept two AA cells or one PP3 cell. Models 600-110 and 600-130 have a louvered panel which is ideal for applications using speakers, sounders and microphones. All types screw together except 600-100 which clips together. Dimensions are L x W x H.



| CODE    | TYPE  | PRICE |
|---------|---|-------|
| 600-470 | ABS Enclosure 50 x 36 x 20mm (Clip fixing)..... | £1.75 |
| 600-100 | ABS Enclosure 58 x 35 x 16mm (Clip fixing)..... | £1.90 |
| 600-101 | ABS Enclosure 58 x 35 x 21mm (Clip fixing)..... | £2.75 |
| 600-480 | ABS Enclosure 79 x 40 x 21mm.(Clip fixing)..... | £2.75 |
| 600-105 | ABS Enclosure 90 x 56 x 23mm.....               | £2.99 |
| 600-110 | ABS Enclosure 90 x 56 x 23mm (Louvre).....      | £2.99 |
| 600-485 | ABS Enclosure 100 x 50 x 25mm .....             | £3.50 |
| 600-490 | ABS Enclosure 107 x 55 x 36mm .....             | £4.15 |
| 600-125 | ABS Enclosure 121 x 55 x 31mm.....              | £3.99 |
| 600-130 | ABS Enclosure 121 x 55 x 31mm (Louvre).....     | £4.25 |
| 600-495 | ABS Enclosure 121 x 56 x 42mm.....              | £5.15 |

**ABS BOX** a range of ABS boxes ideal for probes, remote controls, small circuits, etc., moulded in impact resistant ABS with PCB mounting points. The box halves are held together with two screws which are supplied. Available in black or white, with or without battery compartment. The battery compartment can accept 2x AAA, 2x AA or 1x PP3.



| CODE    | TYPE                              | PRICE |
|---------|-----------------------------------|-------|
| 04-1982 | ABS Box Black.....                | £2.50 |
| 04-1984 | ABS Box White.....                | £2.50 |
| 04-1986 | ABS Box Black & Battery Comp..... | £2.99 |
| 04-1988 | ABS Box White & Battery Comp..... | £2.99 |

**ABS BOXES WITH ALUMINIUM TOP PANEL** a range of attractive boxes moulded in grey ABS with an anodised aluminium top panel which is retained by 4 self-tapping screws. The box sides have slots for locating PCB's. Dimensions are L x W x H.



| CODE    | TYPE  | PRICE  |
|---------|---|--------|
| 600-200 | Grey ABS Box Alumin Lid 90 x 45 x 30mm.....   | £8.50  |
| 600-210 | Grey ABS Box Alumin Lid 125 x 70 x 40mm.....  | £12.99 |
| 600-215 | Grey ABS Box Alumin Lid 155 x 90 x 50mm.....  | £18.99 |
| 600-220 | Grey ABS Box Alumin Lid 190 x 110 x 60mm..... | £24.25 |

**POST FREE DELIVERY ON ALL ORDERS  
WITHIN THE UNITED KINGDOM  
MINIMUM ORDER VALUE £15.00**

**You may mix your order from  
ANY of our catalogues**

# SQUIRES ELECTRONIC COMPONENTS

## PSU CASES

**TRANSFORMER/ POWER SUPPLY CASE** a two-part ABS case with black textured finish and removable ABS front panel. Ideal for use as a transformer or power supply case, or for housing a printed circuit board. Six bosses, suitable for self-tapping screws, are moulded into the bottom part of the case for mounting PCBs or a chassis plate. Maximum PCB/chassis size 100 x 65mm. The two halves of the case are held together by four self-tapping screws, supplied. Maximum dimensions: 131 x 75 x 62mm.



| CODE    | TYPE                                       | PRICE |
|---------|--|-------|
| 600-240 | Transformer/ PSU Case 131 x 75 x 62mm..... | £8.99 |

**FREE STANDING PSU CASES** a range of ventilated power supply cases moulded in flame-retardant (UL94V-0) ABS. The two halves of the cases are held together by four self-tapping screws (supplied), and the base of the larger cases have moulded-in bosses and locating lugs for transformers and other associated circuitry. Both ends of the case have rectangular cut-outs (approx, 10 x 8) for cable entry and exit. A suitable cable exit grommet is available separately. The tops of the cases have a recessed area for labels, etc.; small case 50x35mm, large case 50x45mm. Maximum external dimensions; small case 100 x 68 x 55mm; large case 130 x 92 x 70mm.



| CODE    | TYPE   | PRICE |
|---------|--|-------|
| 600-185 | Free-standing Ventilated PSU Case Small..... | £4.75 |
| 600-140 | Free-standing Ventilated PSU Case Black..... | £5.50 |

## PLUG-IN PSU CASES

**PLUG-IN POWER SUPPLY CASES** moulded in black flame retardant ABS. All types have flying leads soldered to the live and neutral pins and have brass earth pins. The cases are fixed using self tapping screws and have label recess on the front. The small model has an internal cover plate which fits over the live and neutral pins for additional insulation and accepts an E118 transformer, cable exit is at the bottom of the case. The large model has shuttered ventilation slots and will accept an E148 size transformer, cable exit is at the bottom of the case. The extra-large model (not illustrated) has shuttered ventilation slots and will accept E157 transformers. Dimensions are L x W x D and exclude plug pins.

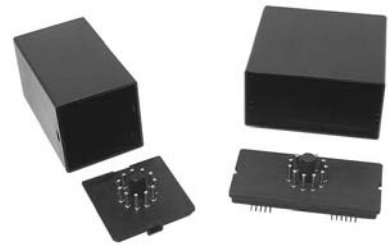


| CODE    | TYPE   | PRICE |
|---------|--|-------|
| 600-150 | 13A Plug-in PSU Case Small 78 x 52 x 52mm..... | £4.75 |
| 600-155 | 13A Plug-in PSU Case Large 103 x 61 x 57mm..   | £5.50 |

**PLUG-IN MODULE CASE** versatile snap-together module cases fitted with 11-pin, standard plug-in relay bases. They have internally moulded PCB guides and the larger size is supplied with a PCB, which can be soldered to the pins in the base for easy connection.

### Technical Specification

Material:  
Polypropylene (large case has Noryl base)  
Dimensions;  
Small: 48 x 48 x 80mm high  
Large: 80 x 42 x 77mm high



| CODE    | TYPE                                   | PRICE  |
|---------|--|--------|
| 04-2562 | Plug-in Module Case - Black Small..... | £8.99  |
| 04-2566 | Plug-in Module Case - Black Large..... | £17.99 |

## SENSOR CASES

**SENSOR CASES** with ventilated sides allowing free airflow for temperature, gas, humidity sensors and thermostats etc. The small cases are moulded in black or ivory, non-reflective ABS, the back panel has blanked-off wall mounting holes which can be drilled out if required. The box can also be used as a small enclosure for general use. The larger case is moulded in white flame-retardant ABS and has mounting holes compatible with standard electrical pattresses. A label recess is incorporated on the front cover. All types have bosses for mounting PCB's and other components. Dimensions are L x W x H.



### Technical Specification

| External dimensions |        |               |
|---------------------|--------|---------------|
| L x W x H           | Colour | Material      |
| 71x71x27mm          | Black  | ABS           |
| 71x71x27mm          | Ivory  | ABS           |
| 84x84x36mm          | White  | ABS to UL94VO |
| 84x84x36mm          | Black  | ABS           |
| 84x84x36mm          | Ivory  | ABS           |

| CODE    | TYPE  | PRICE  |
|---------|---|--------|
| 600-170 | Small Sensor Case Black 71 x 71 x 27mm..... | £3.75  |
| 600-175 | Small Sensor Case Ivory 71 x 71 x 27mm..... | £3.75  |
| 600-180 | Large Sensor Case White 84 x 84 x 36mm..... | £14.99 |
| 600-339 | Large Sensor Case Ivory 84 x 84 x 36mm..... | £5.45  |

**ABS BUZZER/SPEAKER/SENSOR CASE** attractively styled ABS case with a slotted grille in one end and a pierced grille on the front. Ideally suited to sensors, intercoms alarms, buzzers etc. Moulded-in bosses in front and base sections for mounting PCBs etc. Base section has two keyhole shape knock-outs for wall mounting over screw heads if required. Two halves of the case are secured by 4 self tapping screws - supplied. Overall dims 125 x 62 x 50mm. Colour Grey.



| CODE    | TYPE                                | PRICE |
|---------|-------------------------------------|-------|
| 600-340 | ABS Buzzer/Speaker/Sensor Case..... | £8.50 |

# SQUIRES MODEL & CRAFT TOOLS

**LOW PROFILE SENSOR CASE** neatly styled, low profile sensor case with ventilation slots, allowing free airflow for thermostats, temperature, gas humidity sensors, etc. Back-plate has mounting holes 50mm apart, compatible with standard electrical conduit fittings. Can be fixed directly to a wall. Top of case has a 3mm dia hole for an indicator. Moulded-in bosses in top cover for PCB mounting. Top cover is snap-fit and has no visible screws. Dims; 80 x 80 x20.5mm. Colour - White.



| CODE    | TYPE                         | PRICE |
|---------|------------------------------|-------|
| 600-342 | Low Profile Sensor Case..... | £4.50 |

**IP65 SEALED ABS ENCLOSURES** enclosures manufactured in high impact dark grey ABS, sealed to IP65 and NEMA 4 (dust and hoseproof). Lid with integral neoprene gasket is retained by captive steel screws. Mounting holes and lid fixing holes are outside neoprene gasket to prevent the ingress of moisture and dust. PCB guides on both walls in a variety of positions. Mounting bosses in base. Can be easily drilled or punched. Ideal for use in electrical or electronic installations. Operating temperature -20°C to +80°C. Wall thickness 3.0mm.



| CODE    | TYPE  | PRICE  |
|---------|---|--------|
| 04-0148 | IP65 Sealed ABS Enclosure 64x58x35mm.....   | £5.35  |
| 04-0150 | IP65 Sealed ABS Enclosure 82x80x55mm.....   | £7.30  |
| 04-0152 | IP65 Sealed ABS Enclosure 115x65x40mm.....  | £7.40  |
| 04-0154 | IP65 Sealed ABS Enclosure 115x65x55mm.....  | £8.05  |
| 04-0156 | IP65 Sealed ABS Enclosure 115x90x55mm.....  | £9.35  |
| 04-0158 | IP65 Sealed ABS Enclosure 120x120x60mm..... | £14.60 |
| 04-0160 | IP65 Sealed ABS Enclosure 120x120x90mm..... | £15.35 |
| 04-0162 | IP65 Sealed ABS Enclosure 171x121x55mm..... | £13.50 |
| 04-0164 | IP65 Sealed ABS Enclosure 222x146x55mm..... | £18.50 |
| 04-0166 | IP65 Sealed ABS Enclosure 222x146x75mm..... | £13.99 |

**IP65 SEALED ENCLOSURES** enclosures sealed to IP65 available in ABS with clear cover. The units are held together by four stainless steel screws. Internal mounting for PCBs and include a recessed top 1mm deep to accept membrane keypads, buttons or logos etc. Manufactured in flame retardant UL94V-0 material. All dimensions quoted are external.



| CODE    | TYPE                                   | PRICE  |
|---------|--|--------|
| 04-0168 | ABS With Clear Cover 65x60x40mm.....   | £7.99  |
| 04-0170 | ABS With Clear Cover 85x80x55mm.....   | £8.50  |
| 04-0172 | ABS With Clear Cover 125x85x55mm.....  | £11.99 |
| 04-0174 | ABS With Clear Cover 125x85x85mm.....  | £14.99 |
| 04-0176 | ABS With Clear Cover 165x85x55mm.....  | £13.99 |
| 04-0178 | ABS With Clear Cover 165x125x75mm..... | £15.99 |
| 04-0180 | ABS With Clear Cover 186x146x75mm..... | £16.99 |

**POLYCARBONATE BOX WITH CLEAR LID** a range of polycarbonate boxes with tongue-and-groove sealing system plus neoprene gasket giving sealing to IP65. The clear lids allow in-service inspection and reading of displays and indicators. The wall mounting holes and lid fixing screws are outside the sealed area preventing ingress of dust and moisture. It has internal guide slots for mounting PCBs vertically, bosses with threaded brass inserts in base for horizontal mounting of PCBs or terminals and non-magnetic M4 lid fixing screws. Temperature range -40°C to +125°C.



| CODE    | TYPE  | PRICE  |
|---------|---|--------|
| 04-0630 | Polycarbonate Box W/Clear Lid 115 X 65 X 40.... | £9.99  |
| 04-0632 | Polycarbonate Box W/Clear Lid 115 X 65 X 55.... | £9.99  |
| 04-0634 | Polycarbonate Box W/Clear Lid 115 X 90 X 55.... | £14.99 |
| 04-0636 | Polycarbonate Box W/Clear Lid 115 X 90 X 80.... | £15.99 |
| 04-0638 | Polycarbonate Box W/Clear Lid 160 X 80 X 85.... | £18.99 |
| 04-0640 | Polycarbonate Box W/Clear Lid 171 X 121 X 80..  | £25.99 |
| 04-0642 | Polycarbonate Box W/Clear Lid 240 X 160 X 90..  | £36.99 |

**TRANSLUCENT POLYCARBONATE BOX** a range of electronic instrument enclosures available in translucent UL 94V-0, flame-retardant polycarbonate. Ideally suited for modern styling or where internal components need to be visible. It has integral card guides that accept 1.5mm PCBs and lap-joint construction that provides IP54 protection against ingress of dust and splashing water. The lid is secured by four M3 x 10mm Philips screws, fitting into internal threaded brass bushings. Available in blue, red and clear.



| CODE         | TYPE   | PRICE  |
|--------------|--|--------|
| <b>Blue</b>  |  |        |
| 04-3850      | Translucent Polycarbonate Box 100 x 50 x 25....        | £5.25  |
| 04-3852      | Translucent Polycarbonate Box 112 x 62 x 31....        | £5.50  |
| 04-3854      | Translucent Polycarbonate Box 120 x 65 x 40....        | £7.99  |
| 04-3856      | Translucent Polycarbonate Box 150 x 80 x 50....        | £10.25 |
| 04-3858      | Translucent Polycarbonate Box 191 x 110 x 61... £16.50 |        |
| <b>Red</b>   |  |        |
| 04-3860      | Translucent Polycarbonate Box 100 x 50 x 25....        | £5.25  |
| 04-3862      | Translucent Polycarbonate Box 112 x 62 x 31....        | £5.50  |
| 04-3864      | Translucent Polycarbonate Box 120 x 65 x 40....        | £7.99  |
| 04-3866      | Translucent Polycarbonate Box 150 x 80 x 50....        | £10.25 |
| 04-3868      | Translucent Polycarbonate Box 191 x 110 x 61... £16.50 |        |
| <b>Clear</b> |  |        |
| 04-3870      | Translucent Polycarbonate Box 100 x 50 x 25....        | £5.25  |
| 04-3872      | Translucent Polycarbonate Box 112 x 62 x 31....        | £5.50  |
| 04-3874      | Translucent Polycarbonate Box 120 x 65 x 40....        | £7.99  |
| 04-3876      | Translucent Polycarbonate Box 150 x 80 x 50....        | £10.25 |
| 04-3878      | Translucent Polycarbonate Box 191 x 110 x 61... £16.50 |        |

**FREE PARKING FOR 2 HOURS  
OUTSIDE OF OUR SHOP**

**WHEN PLACING AN ORDER PLEASE  
USE THE FULL ORDER CODE  
INCLUDING ANY PUNCTUATION**

# SQUIRES ELECTRONIC COMPONENTS

## DESK/WALL MOUNTING CASES

**DESKTOP/WALL MOUNTING ABS CASES** a range of three ABS, two part cases. The top cover wraps around the base and clip fits without screws being required. The base has moulded in bosses and slots, allowing easy fitting of PCB'S and hardware (screws supplied). 'Keyhole' slots in the base allow the case to be wall mounted over the heads of suitably fixed screws. Colour black.

**Dimensions - L x W x Hmm**  
Code  
600-162 122.5 x 69.5 x 42  
600-163 154.5 x 85.0 x 57.5  
600-164 170.0 x 99.5 x 72.5



| CODE    | TYPE                                      | PRICE  |
|---------|---|--------|
| 600-162 | Desktop/Wall Mount ABS Cases 122.5mm..... | £7.99  |
| 600-163 | Desktop/Wall Mount ABS Cases 154.5mm..... | £12.99 |
| 600-164 | Desktop/Wall Mount ABS Cases 170.0mm..... | £16.99 |

## HAND HELD CASES

**HAND HELD CASE** an attractive hand held case with a built-in battery holder and is supplied with a choice of plain or infra-red captive end panels. Bosses are moulded into both halves of the case for PCB and component mounting. The battery holder which is accessed through a removable cover accepts two AA cells. The case is secured by four screws. Light grey textured finish. Dimensions 135 x 70 x 25mm.



| CODE    | TYPE                           | PRICE |
|---------|--------------------------------|-------|
| 600-250 | Hand Held Case Light Grey..... | £7.99 |

**HAND HELD CASES** two cost-effective cases for less demanding applications. Both have built-in battery compartments with lift-off covers and contacts which can accept 2x AA batteries or a single PP3. Moulded-in bosses allow easy fitting of PCBs and other components and the two case halves are held together by the screws supplied. A 53 x 47.5mm recess is provided in the front case moulding for membrane keypads or labels or logos. One model is fitted with a transparent window for displays, the other has a louvered panel, ideal for speakers, buzzers and microphones, such as in door-entry and security systems, and other similar applications. Moulded in textured, black ABS. Dimensions: 131 x 60 x 30mm.



| CODE    | TYPE                                    | PRICE |
|---------|---|-------|
| 04-3245 | Hand-Held Case With LCD Window.....     | £8.25 |
| 04-3250 | Hand-Held Case With Louvered Panel..... | £8.25 |

**POST FREE DELIVERY ON ALL ORDERS  
WITHIN THE UNITED KINGDOM  
MINIMUM ORDER VALUE £15.00  
You may mix your order from  
ANY of our catalogues**

## KEYFOB CASES

**KEYFOB REMOTE CONTROL CASES** a range of attractive cases for keyfob remote control applications such as car alarms, automatic door control, lighting etc. All feature a lug for fixing to a key ring, and have holes for mounting indicator LED's. The case will accommodate the miniature 12V battery, order code L1028 see battery section, battery contacts are supplied. The cases clip together except for 600-270 which has a single screw fixing. The push buttons are captive buttons except for 600-270, the button on this model is a hinged part of the case. Case body is black. Dimensions small:- 45 x 36 x 14mm, large cases 56 x 36 16mm.



| CODE    | TYPE  | PRICE |
|---------|---|-------|
| 600-270 | Keyfob Case Small 1 Button.....                 | £2.85 |
| 600-275 | Keyfob Case Large 1 Button (Blue).....          | £3.25 |
| 600-280 | Keyfob Case Large 2 Button (Red, Blue).....     | £3.25 |
| 600-285 | Keyfob Case Large 3 Button (Red, Blue, Black).. | £3.40 |

## ENCLOSURE ACCESSORIES

**ENCLOSURE ACCESSORIES** belt clips and wall-mounting kits suitable for many ABS enclosures, the belt clip is a general-purpose type and fixes to the enclosure by means of two self tapping screws (supplied), fitted from inside the enclosure to give a neat external appearance with no visible fixings. Overall dimensions 60 x 28 x 5mm. Fixing holes:- two 3mm holes at 19mm centres. The wall-mounting kit consists of four ABS brackets which fix to an enclosure to provide lugs which can then be screwed to wall or panel. Both the slot and the hole are countersunk for neat overall fixing. Hole sizes:- slotted hole 3mm wide, circular hole 5mm diameter. Colour textured black.



| CODE    | TYPE                | PRICE |
|---------|---------------------|-------|
| 600-165 | Belt Clip.....      | £1.25 |
| 600-166 | Wall Mount Kit..... | £1.45 |

**INVISIBLE WALL MOUNT KIT** a wall-mounting kits suitable for many ABS enclosures. The kit consists of two parts which slot together. One piece is fixed to the enclosure and the other to the wall. All holes are correctly countersunk for neat overall fixing. Textured finish in black ABS brackets. Dimensions when mated 65 x 50 x 3.5mm.



| CODE    | TYPE                          | PRICE |
|---------|-------------------------------|-------|
| 600-287 | Invisible Wall Mount Kit..... | £1.85 |

# SQUIRES MODEL & CRAFT TOOLS

## ALUMINIUM BOXES

**DIECAST ALUMINIUM BOXES** a range of aluminium diecast boxes with natural finish available in six sizes, each having slots for holding printed circuit boards. These boxes have close fitting flanged lids held by M3 screws running into tapped holes producing a fully screened enclosed box which will withstand temperatures as high as 260°C. These boxes can easily be drilled or punched and are ideally suited to both prototype and production applications. Sealing to IP65 can be achieved with the optional neoprene rubber sealing kits. The optional mounting kit consists of four brackets which can be fixed by the lid securing screws to provide wall mounting lugs. Boss 5000 range. Dimensions are L x W x H mm.



| CODE    | TYPE  | PRICE  |
|---------|---|--------|
| 600-955 | Diecast Aluminium Box 50 x 50 x 31mm.....   | £5.50  |
| 600-370 | Seal For The Above Code 600-955.....        | £1.29  |
| 600-960 | Diecast Aluminium Box 100 x 50 x 25mm.....  | £7.50  |
| 600-372 | Seal For The Above 600-960.....             | £1.65  |
| 600-965 | Diecast Aluminium Box 112 x 62 x 31mm.....  | £7.99  |
| 600-374 | Seal For The Above Code 600-965.....        | £2.59  |
| 600-990 | Diecast Aluminium Box 120 x 65 x 40mm.....  | £11.99 |
| 600-375 | Seal For The Above Code 600-990.....        | £5.99  |
| 600-995 | Diecast Aluminium Box 150 x 80 x 50mm.....  | £14.50 |
| 600-377 | Seal For The Above Code 600-995.....        | £4.35  |
| 600-997 | Diecast Aluminium Box 190 x 110 x 60mm..... | £18.99 |
| 600-379 | Seal For The Above Code 600-997.....        | £5.45  |
| 600-380 | Mounting Kit For Above Boxes.....           | £2.45  |

**DIECAST ALUMINIUM BOXES** a range of aluminium diecast boxes with natural finish which are easily machined and finished. Close fitting flanged lids secured by screws supplied offer excellent screening properties to the box. Dimensions are L x W x H mm.



| CODE    | TYPE  | PRICE  |
|---------|---|--------|
| 600-171 | Diecast Aluminium Boxes 111 x 60 x 30mm.....  | £5.59  |
| 600-173 | Diecast Aluminium Boxes 187 x 118 x 57mm..... | £14.99 |
| 600-174 | Diecast Aluminium Boxes 187 x 118 x 82mm..... | £15.99 |

**MINIATURE ALUMINIUM BOXES** a range of attractive aluminium boxes, finished in grey, for a wide range of applications requiring a sturdy enclosure. Two U sections are secured by four self-tapping screws. The box is covered in a protective plastic film. Dimensions are L x W x H mm.



| CODE    | TYPE  | PRICE  |
|---------|---|--------|
| 601-260 | Miniature Aluminium Box 105 x 75 x 35mm.....  | £10.99 |
| 601-265 | Miniature Aluminium Box 105 x 125 x 35mm..... | £14.65 |
| 601-270 | Miniature Aluminium Box 125 x 85 x 60mm.....  | £15.60 |
| 601-275 | Miniature Aluminium Box 155 x 105 x 45mm..... | £15.99 |
| 601-280 | Miniature Aluminium Box 175 x 125 x 45mm..... | £22.99 |

**ABS/ALUMINIUM PROJECT CASE** ABS boxes with aluminium lids and pre drilled 2.54mm pitch matrix board with copper pads, ideal for projects and prototypes. Dimensions 53 x 83 x 35mm, matrix board requires no cutting to fit. Supplied complete with self-adhesive feet and fixing screws.



| CODE    | TYPE                             | PRICE |
|---------|----------------------------------|-------|
| 04-0182 | ABS/Aluminium Project Case ..... | £2.50 |

## STEEL CASES

**STEEL CASES** a range of two part clip fit steel cases. The top is made from 1mm steel with a black epoxy finish, the bottom which includes the front and rear panels is 1.5mm anodised aluminium. The two halves snap fit together with four self tapping screws for extra security. Dimensions are L x W x H.



| CODE    | TYPE                             | PRICE  |
|---------|----------------------------------|--------|
| 600-300 | Steel Case 125 x 150 x 55mm..... | £28.50 |
| 600-305 | Steel Case 125 x 200 x 70mm..... | £33.99 |
| 600-310 | Steel Case 125 x 200 x 90mm..... | £35.99 |

**POLYSTYRENE ENCLOSURES** A range of attractively styled, grey polystyrene enclosures designed primarily for hand-held instruments. Lap joint construction provides IP54 protection against ingress of dust and splashing water. Recessed top panel for labels, membrane keyboards, etc., moulded in PCB stand-offs and guides. Two keyhole knock-outs to facilitate wall mounting. The two halves of the cases are secured by four self tapping screws, supplied. Also available with battery door. Supplied in Grey.



| CODE    | TYPE   | PRICE  |
|---------|--|--------|
| 600-382 | Polystyrene Enc Grey 130x65x25mm .....       | £5.99  |
| 04-0198 | Polystyrene Enc Grey 130x65x25mm Batt Door.. | £6.99  |
| 600-384 | Polystyrene Enc Grey 170x85x34mm Grey.....   | £6.50  |
| 04-0184 | Polystyrene Enc Grey 170x85x34mm Batt Door.. | £7.50  |
| 600-385 | Polystyrene Enc Grey 220x110x44mm .....      | £7.99  |
| 04-0188 | Polystyrene Enc Grey 220x110x44mm Batt Door  | £10.99 |
| 600-387 | Polystyrene Enc Grey 220x140x40mm .....      | £9.99  |
| 04-0190 | Polystyrene Enc Grey 220x140x40mm Batt Door  | £10.99 |

**WHEN PLACING AN ORDER PLEASE  
USE THE FULL ORDER CODE  
INCLUDING ANY PUNCTUATION**



# SQUIRES ELECTRONIC COMPONENTS

**ABS INSTRUMENT/MODEM CASES** A range of attractively styled cases in light grey, flame retardant ABS with internal PCB mounts. Removable front and rear ABS panels. Supplied complete with fixing screws, matching tilt feet available separately.



**Technical Specification**

| Dimensions (mm) |       |        |
|-----------------|-------|--------|
| Length          | Width | Height |
| 130             | 100   | 30     |
| 130             | 100   | 50     |
| 190             | 140   | 30     |
| 190             | 140   | 50     |
| 250             | 180   | 50     |
| 250             | 180   | 75     |

| CODE    | TYPE                                      | PRICE  |
|---------|---|--------|
| 600-787 | ABS Instrument/Modem Case 130x100x30mm... | £5.99  |
| 600-791 | ABS Instrument/Modem Case 190x140x30mm... | £9.99  |
| 600-793 | ABS Instrument/Modem Case 190x140x50mm... | £12.99 |
| 600-794 | ABS Instrument/Modem Case 250x180x50mm... | £16.99 |
| 600-796 | ABS Instrument/Modem Case 250x180x75mm... | £19.99 |
| 600-798 | Tilt Feet - Pair.....                     | £1.99  |

## ABS INSTRUMENT CASES

**ABS INSTRUMENT ENCLOSURES** a range of 2 enclosures consisting of two high impact ABS half covers with anodised aluminium front and rear panels. The two half-covers are secured by 2 screws (supplied) through the bottom cover. Both top and bottom covers have moulded-in bosses and slots to allow fixing of PCB's etc, without needing to drill through the covers. Supplied with 4 self-adhesive non-slip feet. Colour black. Dimensions are L x W x H mm.



| CODE    | TYPE                                     | PRICE  |
|---------|--|--------|
| 601-285 | ABS Instrument Enc 145 x 85 x 49mm.....  | £17.99 |
| 601-290 | ABS Instrument Enc 134 x 129 x 54mm..... | £18.45 |

**ABS INSTRUMENT CASE** a range of attractively styled cases in ABS complete with anodised aluminium front and rear panels manufactured to professional standards. The cases are particularly useful for mounting Eurocard sized PCB's and PCB supports have been included in all cases to support standard Eurocard sized boards. Cabinet feet are provided and these include 'flip up' feet to adjust case angle if desired. The graphite grey ABS top and base screw together around the chassis/front and rear panel assembly thereby ensuring a rigid completed case. Dimensions are L x W x H mm.



| CODE    | TYPE                                      | PRICE  |
|---------|---|--------|
| 601-300 | ABS Instrument Case 90 x 145 x 41mm.....  | £23.99 |
| 601-305 | ABS Instrument Case 171 x 145 x 56mm..... | £29.99 |
| 601-310 | ABS Instrument Case 231 x 181 x 77mm..... | £39.99 |

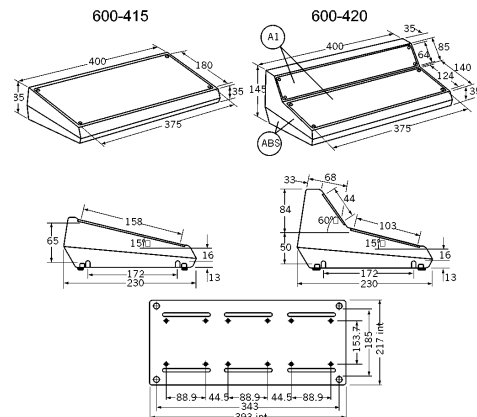
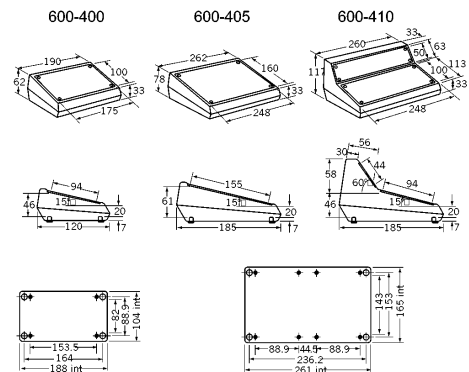
## CONSOLE CASES

**SLOPING FRONT CASES** a range of ABS instrument cases with front panel in ABS or anodised aluminium sloped at 15°. The enclosures incorporate slots on all sides for PCB location and stand off bosses in the base to fix printed circuit boards. Light grey colour. Dimensions in mm.



| CODE    | TYPE  | Height |     |       |       | PRICE  |
|---------|---|--------|-----|-------|-------|--------|
|         |   | Min    | Max | Width | Depth |        |
| 600-176 | Aluminium front panel Sloping Front Case 39 x 60 x 161 x 103mm..... |        |     |       |       | £9.99  |
| 600-177 | Sloping Front Case 48 x 78 x 215 x 130mm.....                       |        |     |       |       | £16.99 |
| 600-178 | ABS front panel Sloping Front Case 42 x 63 x 161 x 103mm.....       |        |     |       |       | £11.99 |
| 600-179 | Sloping Front Case 52 x 82 x 215 x 130mm.....                       |        |     |       |       | £19.99 |

**CONSOLE CASES** a range professional quality two part ABS console cases finished in grey with 1.5mm anodised aluminium panels suited to a wide variety of applications. Mounting pillars are provided to suit a wide range of PCB sizes with emphasis on Eurocard sizes. Supplied with four cabinet feet.



| CODE    | TYPE  | PRICE  |
|---------|---|--------|
| 600-400 | Console Case Panel Size 190 x 100mm.....      | £24.99 |
| 600-405 | Console Case Panel Size 262 x 160mm.....      | £36.99 |
| 600-410 | Console Case Panel Size 260 x 100 + 50mm..... | £43.99 |
| 600-415 | Console Case Panel Size 400 x 180mm.....      | £69.99 |
| 600-420 | Console Case Panel Size 400 x 124 + 64mm..... | £79.99 |

# SQUIRES MODEL & CRAFT TOOLS

**MODEM CASE** an ergonomically styled high quality black ABS case suitable for housing modems and other single PCB equipment. It consists of two halves which simply clip together and has an attractive matt finish. The base has six moulded-in PCB mounting bosses suitable for No.4 self-tapping screws (not supplied). Dimensions 139 x 110 x 31mm.



| CODE    | TYPE            | PRICE |
|---------|-----------------|-------|
| 04-3380 | Modem Case..... | £8.99 |

## EQUIPMENT CASE FEET

**SELF ADHESIVE FEET** a range of self adhesive rubberised non slip feet for fitting to equipment cases and project boxes. A range of profiles are available. Supplied in packs of 4.



| CODE    | TYPE   | PRICE |
|---------|--|-------|
| 601-135 | Self-Adh Feet Type A - 6 x 3mm Black 4pk.....    | £0.29 |
| 601-145 | Self-Adh Feet Type A - 9.6 x 3.8mm Black 4pk.... | £0.30 |
| 601-155 | Self-Adh Feet Type A - 12 x 5mm Black 4pk.....   | £0.40 |
| 601-105 | Self-Adh Feet Type B - 11.5 x 3mm Black 4pk..... | £0.40 |
| 601-115 | Self-Adh Feet Type B - 13 x 3.6mm Black 4pk..... | £0.45 |
| 601-125 | Self-Adh Feet Type B - 22.5 x 3.6mm Black 4pk..  | £0.69 |
| 601-165 | Self-Adh Feet Type C - 22 x 10mm Black 4pk.....  | £0.70 |
| 601-606 | Self-Adh Feet Type D - 13 x 13mm Black 4pk.....  | £0.40 |
| 601-185 | S/Adh Feet Type E - 12.5 x 12.5mm Black 4pk....  | £0.50 |
| 601-195 | Self-Adh Feet Type F - 20 x 20mm Black 4pk.....  | £0.75 |

## FAST FITTING FEET

**FAST FITTING FEET** a rubber foot for instrument and equipment cases etc. It is attached by pushing the inside end through a pre-drilled 8mm fixing hole. A nylon dowel pin is then pushed through the foot, this opens up the inside of the foot to give a permanent fixing. Quick to install, ideal for production work. Diameter 20mm, height when fitted 10mm. Fixing hole required 8mm. Supplied in packs of 4.



| CODE    | TYPE  | PRICE |
|---------|---|-------|
| 601-200 | Fast Fitting 20 x 10mm Grey Pack of 4.....  | £0.79 |
| 601-205 | Fast Fitting 20 x 10mm Black Pack of 4..... | £0.79 |

**EASY FIT FEET** black rubber cabinet feet with tabs which are simply pulled through a pre-drilled hole and then simply lock into place. Supplied in packs of 4.



| CODE    | TYPE                              | Fixing Hole Dia | PRICE |
|---------|-----------------------------------|-----------------|-------|
| 601-215 | Easy Fit Feet 11.7 x 4mm 4PK..... | 4.5mm.....      | £0.75 |

**SELF ADHESIVE FELT PAD SET** a range of felt pads with adhesive backing for protecting furniture surfaces, worktops, parquet flooring etc. 5 sizes are available. The pack contains: 32 pads 10mm dia x 1mm thick, 36 pads 15mm dia x 2mm thick, 48 pads 20mm dia x 2mm thick, 8 pads 38mm dia x 4mm thick, and a square sheet of 200 x 200 x 2mm thick.



| CODE  | TYPE                                 | PRICE |
|-------|--------------------------------------|-------|
| 87375 | 125 Piece Adhesive Felt Pad Set..... | £2.99 |

## CONTROL KNOBS

**15mm MIXER STYLE CONTROL KNOBS** attractive 15mm diameter mixer style control knobs which have a matt black body and a choice of six different colour pointer strips are available. Designed to push fit onto 6mm splined shafts.



| CODE    | TYPE   | PRICE |
|---------|--|-------|
| 600-500 | 15mm Mixer Style Knob with Red Pointer.....    | £0.39 |
| 600-505 | 15mm Mixer Style Knob with Green Pointer.....  | £0.39 |
| 600-510 | 15mm Mixer Style Knob with Yellow Pointer..... | £0.39 |
| 600-515 | 15mm Mixer Style Knob with Blue Pointer.....   | £0.39 |
| 600-520 | 15mm Mixer Style Knob with White Pointer.....  | £0.39 |
| 600-525 | 15mm Mixer Style Knob with Grey Pointer.....   | £0.39 |

**15MM THREE COLOUR MIXER KNOBS** smart 15mm diameter mixer style control knobs with black bodies, white marker line and a choice of five coloured inserts and skirts which offers a crisp, attractive appearance. Designed to push fit onto 6mm splined shafts.



| CODE    | TYPE                               | PRICE |
|---------|------------------------------------|-------|
| 600-740 | Knob with Red Insert/Skirt.....    | £0.39 |
| 600-741 | Knob with Green Insert/Skirt.....  | £0.39 |
| 600-742 | Knob with Yellow Insert/Skirt..... | £0.39 |
| 600-743 | Knob with Blue Insert/Skirt.....   | £0.39 |
| 600-744 | Knob with Grey Insert/Skirt.....   | £0.39 |

**19mm MIXER STYLE CONTROL KNOBS** a range of 19mm diameter black control knobs available with a wide range of coloured caps with a marker line which push fit into the knob. The knob bodies are available as a push fit onto a 6mm splined shaft or a grub screw fixing for 6mm shafts.



| CODE    | TYPE   | PRICE |
|---------|--|-------|
| 600-550 | 19mm Mixer Style Knob Body 6mm Push Fit..... | £0.47 |
| 600-555 | 19mm Mixer Style Knob Body 6mm Grub Screw.   | £1.29 |
| 600-560 | 19mm Mixer Style Knob Cap Red.....           | £0.37 |
| 600-565 | 19mm Mixer Style Knob Cap Yellow.....        | £0.37 |
| 600-570 | 19mm Mixer Style Knob Cap Green .....        | £0.37 |
| 600-575 | 19mm Mixer Style Knob Cap Grey .....         | £0.37 |
| 600-580 | 19mm Mixer Style Knob Cap Blue .....         | £0.37 |
| 600-585 | 19mm Mixer Style Knob Cap Black.....         | £0.37 |

# SQUIRES ELECTRONIC COMPONENTS

**MATT BLACK CONTROL KNOBS** a range of matt black control knobs with use with 6mm and 6.35mm (0.25in) shafts. Grub screw fixing, available in a range of sizes.



| CODE    | TYPE            | Spindle Dia | Height      | PRICE |
|---------|-----------------|-------------|-------------|-------|
| 600-700 | Matt Black Knob | 6mm         | 15.0 x 14mm | £0.39 |
| 600-705 | Matt Black Knob | 6mm         | 19.5 x 15mm | £0.55 |
| 600-710 | Matt Black Knob | 6mm         | 24.0 x 20mm | £0.65 |
| 600-715 | Matt Black Knob | 6mm         | 35.0 x 17mm | £0.75 |
| 600-720 | Matt Black Knob | 6.35mm      | 15.0 x 14mm | £0.37 |
| 600-725 | Matt Black Knob | 6.35mm      | 19.5 x 15mm | £0.55 |
| 600-730 | Matt Black Knob | 6.35mm      | 24.0 x 20mm | £0.65 |
| 600-735 | Matt Black Knob | 6.35mm      | 35.0 x 17mm | £0.75 |

**23MM ALUMINIUM INLAY CONTROL KNOB** a 23mm diameter black control knob with spun aluminium skirt and inlay. Arrow indication. Depth 14mm. Grub screw for 6.35mm (0.25") diameter spindles.



| CODE    | TYPE                           | PRICE |
|---------|--------------------------------|-------|
| 600-751 | 23mm Aluminium Inlay Cont Knob | £0.90 |

**30MM ALUMINIUM INLAY CONTROL KNOBS** matched 30mm diameter black control knobs with spun aluminium skirt and inlay. Available either calibrated 1 to 10 or with arrow indication. Depth 15mm. Grub screw fixing for 6.35mm (0.25") spindles.



| CODE    | TYPE                                      | PRICE |
|---------|---|-------|
| 600-752 | 30mm Aluminium Inlay Cont Knob Arrow      | £0.90 |
| 600-753 | 30mm Aluminium Inlay Cont Knob Calibrated | £0.90 |

**BLACK POINTER KNOB** black pointer knob with a white indicator line, for use with 6mm and 6.35mm (0.25") shafts. Grub screw fixing.



| CODE   | TYPE         | PRICE |
|--------|--------------|-------|
| RSK390 | Pointer Knob | £0.50 |

**SLIDER CONTROL KNOBS** smart control knobs for use with slide potentiometers, faders etc. 4mm fitting.



| CODE    | TYPE                      | PRICE |
|---------|---------------------------|-------|
| 685-290 | Slider Control Knob Black | £0.33 |

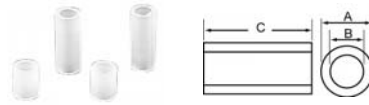
## SPACERS & PILLARS

**PVC SPACERS** A range of cost effective PCB or panel hexagonal spacers in grey PVC with central hole for No 6 or No 8 self tapping screws. The spacers are self extinguishing, have a low moisture absorption, are chemical resistant and UL-94-V-0 rated. Supplied in packs of 10.



| CODE    | TYPE        | Screw                  | PRICE |
|---------|-------------|------------------------|-------|
| 600-850 | PVC Spacers | 12.7mm No 6 Pack of 10 | £1.45 |
| 600-852 | PVC Spacers | 19.1mm No 8 Pack of 10 | £2.65 |
| 600-854 | PVC Spacers | 25.4mm No 8 Pack of 10 | £2.70 |

**CIRCULAR NYLON SPACERS 6/6** A range of circular nylon spacers with 3.2mm clearance holes suitable for use with M3 screws. Natural 6/6 nylon. Used for spacing PCB's or panels. Supplied in packs of 10. Dimensions A= 5mm, B=3.2mm, C=as indicated.



| CODE    | TYPE                                 | PRICE |
|---------|--------------------------------------|-------|
| 600-875 | Circular PVC Spacers 3mm Pack of 10  | £0.50 |
| 600-863 | Circular PVC Spacers 4mm Pack of 10  | £0.50 |
| 600-880 | Circular PVC Spacers 5mm Pack of 10  | £0.50 |
| 600-866 | Circular PVC Spacers 6mm Pack of 10  | £0.50 |
| 600-868 | Circular PVC Spacers 7mm Pack of 10  | £0.55 |
| 600-885 | Circular PVC Spacers 8mm Pack of 10  | £0.70 |
| 600-871 | Circular PVC Spacers 9mm Pack of 10  | £0.70 |
| 600-890 | Circular PVC Spacers 10mm Pack of 10 | £0.75 |
| 600-873 | Circular PVC Spacers 12mm Pack of 10 | £0.75 |

**PLATED BRASS SPACERS** a range of plated brass 5mm diameter circular spacers with 3.1mm clearance holes suitable for use with M3 screws. Used for spacing PCB's or panels. Supplied in packs of 10.



| CODE    | TYPE                            | PRICE |
|---------|---------------------------------|-------|
| 600-860 | Plated Brass Spacers 4mm 10 Pk  | £0.99 |
| 600-865 | Plated Brass Spacers 10mm 10 Pk | £1.50 |
| 600-870 | Plated Brass Spacers 20mm 10 Pk | £1.99 |

**M3 THREADED BRASS HEXAGONAL SPACERS** a range of brass nickel plated M3 tapped hexagonal spacers 5mm AF. Supplied in packs of 10.



| CODE    | TYPE                                     | PRICE |
|---------|--|-------|
| 600-900 | M3 Tapped Brass Hex Spacer x 5mm 10Pk    | £1.30 |
| 600-905 | M3 Tapped Brass Hex Spacer x 6mm 10Pk    | £1.35 |
| 600-910 | M3 Tapped Brass Hex Spacer x 8mm 10Pk    | £1.45 |
| 600-915 | M3 Tapped Brass Hex Spacer x 10mm 10Pk   | £1.50 |
| 600-920 | M3 Tapped Brass Hex Spacer x 12mm 10Pk   | £1.75 |
| 600-925 | M3 Tapped Brass Hex Spacer x 14mm 10Pk   | £1.90 |
| 600-930 | M3 Tapped Brass Hex Spacer x 16mm 10Pk   | £2.35 |
| 600-935 | M3 Tapped Brass Hex Spacer x 18mm 10Pk   | £2.35 |
| 600-940 | M3 Tapped Brass Hex Spacer x 20mm 10Pk   | £2.55 |
| 600-945 | M3 Tapped Brass Hex Spacer x 25.4mm 10Pk | £2.85 |
| 600-950 | M3 Tapped Brass Hex Spacer x 30mm 10Pk   | £2.99 |

**BRASS HEXAGONAL MALE TO FEMALE SPACERS** brass nickel plated M3 tapped spacers with 6mm M3 stud. 5mm section. Length listed is length of hexagonal spacer. Supplied in packs of 10.



| CODE    | TYPE                                 | PRICE |
|---------|--------------------------------------|-------|
| 601-000 | M3 Brass Hex Spacer M/F x 5mm 10 Pk  | £3.99 |
| 601-005 | M3 Brass Hex Spacer M/F x 6mm 10 Pk  | £3.99 |
| 601-010 | M3 Brass Hex Spacer M/F x 8mm 10 Pk  | £3.99 |
| 601-015 | M3 Brass Hex Spacer M/F x 10mm 10 Pk | £3.99 |
| 601-040 | M3 Brass Hex Spacer M/F x 25mm 10 Pk | £6.25 |
| 601-045 | M3 Brass Hex Spacer M/F x 30mm 10 Pk | £7.50 |

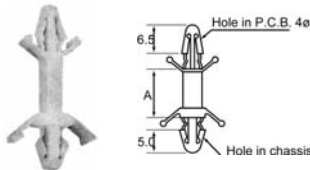
# SQUIRES MODEL & CRAFT TOOLS

**STANDARD PCB PILLARS** manufactured in nylon 66, suitable self tapping screws No 6. PCB fixing hole 4mm. Supplied in packs of 10.



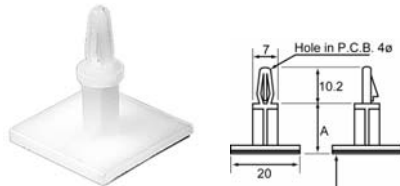
| CODE    | TYPE                 | Overall Length | Dim 'A'     | PRICE |
|---------|----------------------|----------------|-------------|-------|
| 601-050 | Standard PCB Pillars | 13.3mm         | 5.0mm.....  | £0.75 |
| 601-055 | Standard PCB Pillars | 17.4mm         | 9.6mm.....  | £0.75 |
| 601-060 | Standard PCB Pillars | 20.6mm         | 12.6mm..... | £0.75 |

**SNAP FIT PCB PILLARS** manufactured in nylon 66 snap fit PCB supports which provide a quick and easy method of retaining PCBs on a chassis or panels. PCB fixing hole 4mm. Supplied in packs of 10.



| CODE    | TYPE                 | Height 'A'    | PRICE |
|---------|----------------------|---------------|-------|
| 601-065 | Snap Fit PCB Pillars | - 6.4mm.....  | £1.45 |
| 601-075 | Snap Fit PCB Pillars | - 12.7mm..... | £1.80 |

**SELF ADHESIVE PCB PILLARS** manufactured in nylon 66, PCB supports with a self adhesive backed base which provide a quick and easy method of retaining PCBs on a chassis or panels where drilling holes is not possible, on a front panel, thick material etc. Supplied in packs of 10.



| CODE    | TYPE                 | Height 'A'    | PRICE |
|---------|----------------------|---------------|-------|
| 601-080 | Snap Fit PCB Pillars | - 6.4mm.....  | £2.65 |
| 601-085 | Snap Fit PCB Pillars | - 9.5mm.....  | £2.05 |
| 601-090 | Snap Fit PCB Pillars | - 12.7mm..... | £3.10 |

**PINE TREE CLIPS** An economic push-type, self centring finned fastener, with uniform, consistent insertion and extraction forces. Provides fast, secure panel attachment while eliminating costly nuts, bolts and lockwashers. The clips are reusable for removal in the field, hold wood, particle board, metal, solid or foam plastic and rubber panels, and can be used in through-hole or blind hole applications. Manufactured in UL94V-2 rated black nylon 66. Supplied in packs of 10.



Technical specification

| Hole size | Panel thickness | Dimensions |      |       |      | Head form |
|-----------|-----------------|------------|------|-------|------|-----------|
|           |                 | A          | B    | C     | D    |           |
| 3.00      | 1.75-5.00       | 5.49       | 2.31 | 7.49  | 1.52 | H         |
| 5.00      | 1.60-6.40       | 10.01      | 3.71 | 8.31  | 1.02 | G         |
| 6.35      | 1.02-18.03      | 12.70      | 3.51 | 19.00 | 2.54 | G         |
| 6.35      | 4.39-14.50      | 15.88      | 2.03 | 18.29 | 1.52 | G         |

| CODE    | TYPE   | PRICE |
|---------|--|-------|
| 600-767 | Pine Tree Clips Hole Size 3mm Pk of 10.....    | £2.75 |
| 600-768 | Pine Tree Clips Hole Size 5mm Pk of 10.....    | £2.75 |
| 600-769 | Pine Tree Clips Hole Size 6.35mm Pk of 10..... | £3.75 |
| 600-770 | Pine Tree Clips Hole Size 6.35 Pk of 10.....   | £3.75 |

## ADHESIVE FOAM PADS

**ADHESIVE FOAM PADS** pre-cut polyethylene foam pads coated on both sides with a high tack pressure sensitive acrylic adhesive. Supplied on a peelable backing. The foam pads are 1mm thick and have a range of uses including fixing relays or PCB's to chassis, prototyping etc. Available in 2 sizes.



| CODE    | TYPE  | PRICE |
|---------|---|-------|
| 600-970 | Adhesive Foam Pad 25 x 12mm Pack of 10..... | £0.44 |
| 600-975 | Adhesive Foam Pad 25 x 12mm Pack of 50..... | £1.99 |
| 600-980 | Adhesive Foam Pad 25 x 25mm Pack of 10..... | £0.84 |
| 600-985 | Adhesive Foam Pad 25 x 25mm Pack of 50..... | £3.79 |

## HANDLES

**BRIEFCASE SWIVEL HANDLE** a strong black plastic moulding with metal fixing swivel plate. Dims 135 x 63 x 15mm.



| CODE    | TYPE                         | PRICE |
|---------|------------------------------|-------|
| 601-944 | Briefcase Swivel Handle..... | £1.89 |

**STRAP HANDLE** a low cost steel reinforced strap handle with steel end caps. Fixing centres 214mm. Dims 258 x 32 x 11mm.



| CODE    | TYPE              | PRICE |
|---------|-------------------|-------|
| 601-327 | Strap Handle..... | £2.49 |

**FLEXIBLE CARRYING HANDLE** a flexible carrying handle in matt black glass-filled nylon with a rated loading of around 30Kg. The one piece design has recessed mounting holes suitable for No 8 screws or 2BA/5mm bolts. Dims 180 x 25mm. Height 20mm. Fixing centre 155mm x 5.4mm dia.



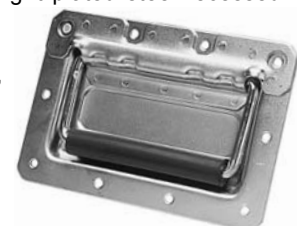
| CODE    | TYPE                          | PRICE  |
|---------|-------------------------------|--------|
| 600-772 | Flexible Carrying Handle..... | £ 1.99 |

**DROP HANDLE** a steel fixing plate with spring loaded drop handle with plastic grip. Available with Zinc or Black finish. Fixing plate dims 140 x 40mm, overall 140 x 85 x 60mm.



| CODE    | TYPE                          | PRICE |
|---------|-------------------------------|-------|
| 601-329 | Drop Handle Zinc Finish.....  | £4.99 |
| 601-940 | Drop Handle Black Finish..... | £4.99 |

**FLIGHT CASE HANDLE** a bright plated steel recessed handle with spring loaded drop handle which has a black plastic hand grip. Cutout dims 128 x 75mm, overall 161 x 107 x 17mm.



| CODE    | TYPE                    | PRICE |
|---------|-------------------------|-------|
| 601-330 | Flight Case Handle..... | £4.99 |

# SQUIRES ELECTRONIC COMPONENTS

**RECESSED ABS HANDLE** a black ABS plastic handle, ideal for cabinets and casings. Cut out required 102 x 59mm, overall 135 x 88 x 76mm.



| CODE    | TYPE                     | PRICE |
|---------|--------------------------|-------|
| 601-332 | ABS Recessed Handle..... | £0.99 |

**RECESSED STEEL HANDLE** a large black finished steel handle, ideal for cabinets and casings. Cut out required 175 x 115mm, overall 220 x 162 x 60mm.



| CODE    | TYPE                       | PRICE |
|---------|----------------------------|-------|
| 601-334 | Steel Recessed Handle..... | £5.99 |

**LARGE RECESSED STEEL BAR HANDLE** a heavy duty steel recessed steel bar handle. Black finish. Dimensions 273 x 162 x 63mm. Cut out 220 x 115mm.



| CODE    | TYPE                                 | PRICE |
|---------|--------------------------------------|-------|
| 601-942 | Large Recessed Steel Bar Handle..... | £6.50 |

**SMALL ABS PLASTIC BAR HANDLE** a small black ABS plastic bar handle. Dimensions 175 x 152 x 58mm, cutout 136 x 112mm.



| CODE    | TYPE  | PRICE |
|---------|---|-------|
| 601-936 | Sml ABS Plastic Bar Handle 175 x 152 x 58mm.. | £5.35 |

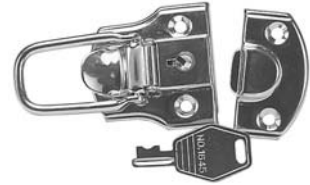
**CORNER HANDLE** a top mounted bar handle. Zinc diecast grip in an ABS dish. Maximum load 200kg. Dims 92 x 92 x 175mm.



| CODE    | TYPE               | PRICE  |
|---------|--------------------|--------|
| 04-0356 | Corner Handle..... | £12.99 |

## CATCHES

**LOCKING CATCH** a medium duty lockable drawbolt catch in nickel plated steel. Supplied with key. Dimensions 71 x 48mm.



| CODE    | TYPE               | PRICE |
|---------|--------------------|-------|
| 601-950 | Locking Catch..... | £6.50 |

**DRAWBOLT CATCH** a drawbolt catch in nickel plated steel. Overall dimensions 71 x 41mm. Sold individually.



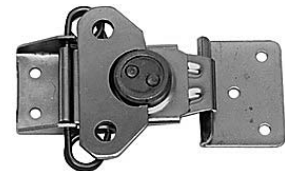
| CODE    | TYPE                | PRICE |
|---------|---------------------|-------|
| 601-968 | Drawbolt Catch..... | £2.99 |

**LOCKING CATCH** a drawbolt catch in nickel plated steel which can be locked with a padlock. Overall dimensions 96 x 41mm. Sold individually.



| CODE    | TYPE               | PRICE |
|---------|--------------------|-------|
| 601-970 | Locking Catch..... | £2.99 |

**BUTTERFLY CATCH** a large butterfly catch with a zinc finish. Dimension 122 x 76 x 22mm.



| CODE    | TYPE                                 | PRICE |
|---------|--------------------------------------|-------|
| 601-226 | Butterfly Catch 122 x 76 x 22mm..... | £9.75 |

**BUTTERFLY CATCH** a butterfly catch in a recessed dish. A 180° turn of the wing gives a pull down pressure of 200kg. Case cut out 78 x 55mm, lid cut out 78 x 26mm.



| CODE    | TYPE                 | PRICE |
|---------|----------------------|-------|
| 601-335 | Butterfly Catch..... | £8.99 |

**NON-LOCKING BUTTERFLY** a medium sized non-locking butterfly catch. Panel cutout required 66 x 66mm, dims overall 89 x 92mm. Sold individually.



| CODE    | TYPE                                       | PRICE |
|---------|--|-------|
| 04-0233 | Non-Locking Butterfly Catch 89 x 92mm..... | £8.99 |

# SQUIRES MODEL & CRAFT TOOLS

**BUTTERFLY CATCH** a heavy duty butterfly catch with recessed dish. Case cut out 94 x 99mm. Lid cut out 49 x 99mm.



| CODE    | TYPE                            | PRICE  |
|---------|---------------------------------|--------|
| 601-972 | Heavy Duty Butterfly Catch..... | £11.99 |

## CASE HINGES

**LIFT-OFF HINGE** a heavy duty lift-off hinge manufactured from nickel plated steel. Allows complete removal of case lid. Dims 77 x 37mm. Supplied in a pack of 2.



| CODE    | TYPE                          | PRICE |
|---------|-------------------------------|-------|
| 601-337 | Lift-off Hinge Pack of 2..... | £3.55 |

**STRUT HINGE** a heavy duty plated steel strut hinge. Allows cabinet lid to open up to 95°. Dimensions 80 x 20mm. Sold individually.



| CODE    | TYPE                       | PRICE |
|---------|----------------------------|-------|
| 601-964 | Strut Hinge 80 x 20mm..... | £1.55 |

**HEAVY DUTY STRUT HINGE** a heavy strut hinge in nickel plated steel. Stops after 95° of travel. Dimensions 77 x 37mm. Sold individually.



| CODE    | TYPE                                  | PRICE |
|---------|---------------------------------------|-------|
| 601-966 | Heavy Duty Strut Hinge 77 x 37mm..... | £2.99 |

**STRUT HINGE** a recessed steel strut hinge with 95° stop. Dimensions 102 x 66mm/102 x 39mm.



| CODE    | TYPE                      | PRICE |
|---------|---------------------------|-------|
| 601-262 | Recessed Strut Hinge..... | £5.50 |

## BRACKETS

**MINI BRACE** a mini brace, tight radius, manufactured in bright plated steel for case reinforcement. Dimensions 31 x 31 x 19mm. Sold individually.



| CODE    | TYPE                           | PRICE |
|---------|--------------------------------|-------|
| 601-908 | Mini Brace 31 x 31 x 19mm..... | £0.30 |

**SMALL BRACE** a small brace, tight radius, manufactured in bright plated steel, suitable for case reinforcement. Dimensions 30 x 30 x 24mm.



| CODE    | TYPE                            | PRICE |
|---------|---------------------------------|-------|
| 601-912 | Small Brace 30 x 30 x 24mm..... | £0.30 |

## CASE CORNERS

**SUITCASE CORNER** a nickel plated steel corner, ideal for protecting corners on cases and boxes etc. 3 fixing holes, dims 30 x 30 x 30mm. Sold individually.



| CODE    | TYPE                     | PRICE |
|---------|--------------------------|-------|
| 601-104 | Suitcase Corner x 1..... | £0.75 |

**CABINET CORNER PROTECTOR** flat steel cabinet corner protectors. 2 sizes available; Dimensions 36 x 36 x 36mm and 49 x 49 x 49mm.



| CODE    | TYPE   | PRICE |
|---------|--|-------|
| 601-113 | Cabinet Corner Protector 36 x 36 x 36mm..... | £1.45 |
| 601-340 | Cabinet Corner Protector 49 x 49 x 49mm..... | £1.65 |

**CORNER PROTECTOR** a bright plated heavy duty steel corner protector. Three mounting legs. Dimension 49 x 49mm.



| CODE    | TYPE  | PRICE |
|---------|---|-------|
| 601-994 | Corner Protector 3 Mounting Legs 49 x 49mm..... | £1.00 |

**MINI BALL CORNER** a bright plated heavy duty steel mini ball corner. Three mounting legs. Dimensions 41 x 41mm.



| CODE    | TYPE  | PRICE |
|---------|---|-------|
| 601-998 | Mini Ball Corner 3 Mounting Legs 41 x 41mm..... | £1.00 |

**STEEL BALL CORNER** a bright plated heavy duty steel corner with 3 mounting legs. Dimensions 49 x 49mm.



| CODE    | TYPE   | PRICE |
|---------|--|-------|
| 601-914 | Steel Ball Corner 3 Mounting Legs 49 x 49mm..... | £1.00 |

**HEAVY DUTY STEEL BALL CORNER** bright plated heavy duty steel ball corner with 2 mounting legs. Dimensions 65 x 41mm.



| CODE    | TYPE   | PRICE |
|---------|--|-------|
| 601-920 | H/Duty Steel Ball Corner 2 Legs 65 x 41mm..... | £1.45 |

**CORNER PROTECTOR** a bright plated heavy duty steel corner protector. Three mounting legs. Dimension 50 x 50 x 1.2mm.



| CODE    | TYPE  | PRICE |
|---------|---|-------|
| 601-996 | Corner Protector 3 Mounting Legs 50 x 50mm..... | £1.50 |

# SQUIRES ELECTRONIC COMPONENTS

**STEEL BALL CORNER** a bright plated heavy duty steel ball corners with 3 mounting legs.



| CODE    | TYPE  | PRICE |
|---------|---|-------|
| 601-918 | Steel Ball Corner 3 Mounting Legs 65 x 65mm.... | £1.90 |

## CABINET FEET

**CABINET FEET** moulded rubber feet for use on instrument cases etc. A metal washer is incorporated which prevents the fixing screw head from pulling through the foot.

Black finish. Mounting hole diameter 3.5mm. Sold in packs of 2.



| CODE    | TYPE                              | Dia x Height mm | PRICE |
|---------|-----------------------------------|-----------------|-------|
| 04-0196 | Cabinet Feet Dia 16 x 10.0mm..... |                 | £0.30 |
| 600-774 | Cabinet Feet Dia 19 x 8.0mm.....  |                 | £0.40 |

**RUBBER FOOT** a rubber foot with steel washer. Height 15mm x 25.4mm diameter.

Sold individually.



| CODE    | TYPE                                  | PRICE |
|---------|---------------------------------------|-------|
| 04-0286 | Rubber Foot 25.4mm x 15mm Single..... | £0.55 |

**FEET** a range of non slip, non scuff feet, in rubber and plastic. Sold individually.



| CODE    | TYPE                              | PRICE |
|---------|-----------------------------------|-------|
| 602-000 | Feet Black Rubber 29 x 11mm.....  | £0.36 |
| 602-002 | Feet Black Plastic 38 x 15mm..... | £0.40 |
| 602-004 | Feet Black Plastic 28 x 11mm..... | £0.25 |

**METAL GLIDE** a metal rectangular glide, ideal for bases of cabinets and flight cases.

Dimensions 44.5 x 28mm.

Sold individually.



| CODE    | TYPE             | PRICE |
|---------|------------------|-------|
| 601-934 | Metal Glide..... | £0.49 |

## ADJUSTABLE FEET

**ADJUSTABLE CABINET FEET** heavy duty adjustable foot with side bracket. The bracket is manufactured from heavy gauge steel, galvanised with 4 screw fixing holes. The adjustable foot has an articulated base which allows adjustment under load with the base remaining stationary. Outer-hex top and bottom and slotted head for easy adjustment. Pozi socket in base for rapid assembly. Bolt length 125mm, threaded length 100mm. Sold individually.



| CODE    | TYPE                                  | PRICE |
|---------|---------------------------------------|-------|
| 190-400 | Adjustable Foot and Side Bracket..... | £2.99 |

## MOUNTING PLATES

**RECESSED CONNECTOR MOUNTING PLATE** for use where protruding connectors would be prone to damage during transit. The panel can readily be drilled and cut to suit a wide range of connectors. The back plate has slots and bosses for easy mounting of PCBs to which the connectors may be connected and where components that must be close to the connectors can be mounted. Dimensions 95 x 83 x 49mm. Recess depth 22mm, Panel cut out 72 x 58mm.



| CODE    | TYPE                         | PRICE |
|---------|------------------------------|-------|
| 600-771 | Recessed Mounting Plate..... | £1.99 |

**CONNECTOR DISH** a black ABS connector dish. Accepts 2 x 6.35mm sockets (diameter 11mm).



| CODE    | TYPE                                       | PRICE |
|---------|--|-------|
| 601-962 | Connector Dish ABS 2 x 6.35mm Sockets..... | £1.50 |

**DISH FOR 2 JACK SOCKETS** a dish punched for 2 x 6.35mm jack sockets (11mm dia). Available in black.



| CODE    | TYPE                               | PRICE |
|---------|------------------------------------|-------|
| 601-926 | Dish for 2 Jack Sockets Black..... | £3.25 |

**CONNECTOR DISH** a black steel connector dish. Accepts 2 x XLR sockets (22mm dia) front and rear mount. Cutout 105 x 63mm. Dimensions 131 x 89 x 14mm.



| CODE    | TYPE                                      | PRICE |
|---------|---|-------|
| 601-956 | Connector Dish for XLR Sockets BLACK..... | £2.99 |

**DISHED VENTILATOR** a bright plated steel recessed ventilator dish. Cutout 87 x 77mm. Dimensions 112 x 102 x 15mm.



| CODE    | TYPE                                    | PRICE |
|---------|---|-------|
| 601-960 | Dished Ventilator 112 x 102 x 15mm..... | £2.99 |

# SQUIRES MODEL & CRAFT TOOLS

## PORTS

**PORTS** smart black plastic port collars used for cable entry etc. 2 sizes are available:-

70mm dia x 25mm, cut out dia 50mm,  
95mm dia x 25mm, cut out dia 75mm.



| CODE    | TYPE                      | PRICE |
|---------|---------------------------|-------|
| 601-976 | Port 70mm x 25mm dia..... | £0.40 |
| 601-978 | Port 95mm x 25mm dia..... | £0.45 |

**PORT** a black plastic port tube used for cable entry etc. Dimensions 60.3mm dia x 63.5mm. Cut out diameter 55mm.



| CODE    | TYPE             | PRICE |
|---------|------------------|-------|
| 601-980 | Port 60.3mm..... | £0.49 |

**PORTS** a range of moulded black plastic port tubes for cable entry, ventilation etc. Available in 3 sizes.

**Dimensions. Cut out dia.**

|             |       |
|-------------|-------|
| 65 x 54mm   | 50mm  |
| 87 x 120mm  | 70mm  |
| 121 x 114mm | 103mm |



| CODE    | TYPE                | PRICE |
|---------|---------------------|-------|
| 601-982 | Port 65mm dia.....  | £0.49 |
| 601-984 | Port 87mm dia.....  | £1.49 |
| 601-986 | Port 121mm dia..... | £2.55 |

## TOP HATS

**TOP HATS** a range of top hats in plastic and metal for speaker mounting.



| CODE    | TYPE                      | PRICE |
|---------|---------------------------|-------|
| 601-988 | Top Hat 38mm Plastic..... | £2.99 |
| 601-990 | Top Hat 35mm Plastic..... | £3.39 |
| 601-992 | Top Hat 35mm Metal.....   | £3.70 |

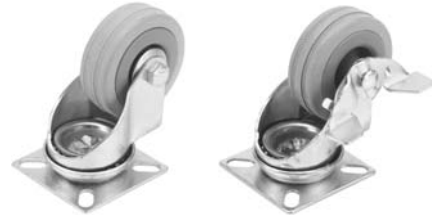
## CASTOR'S

**SWIVEL BOLT FIXING RUBBER CASTOR** a range of rubber wheeled castor's with 12mm swivel bolt fixing. Size listed is wheel diameter, the weight listed is the maximum S.W.L (safe working load). Available with or without a brake. Sold individually.



| CODE  | TYPE  | PRICE |
|-------|---|-------|
| 65470 | Swivel Bolt Fixing Rubber Castor 50mm - 50kg... | £3.65 |
| 65475 | Swivel Bolt Fixing Rubber Castor 75mm - 70kg... | £4.99 |
| 65480 | Swivel Bolt Fixing Rubber Castor 100mm - 80kg.  | £7.99 |
| 65471 | Sw/Bolt Fixing R/Castor + Brake 50mm - 50kg.... | £3.99 |
| 65476 | Sw/Bolt Fixing R/Castor + Brake 75mm - 70kg.... | £6.30 |
| 65481 | Sw/Bolt Fixing R/Castor + Brake 100mm - 80kg..  | £9.35 |

**SWIVEL PLATE FIXING RUBBER CASTOR** a range of rubber wheeled castor's with swivel plate fixing. Size listed is wheel diameter, the weight listed is the maximum S.W.L (safe working load). Available with or without a brake. Sold individually.



| CODE  | TYPE   | PRICE |
|-------|--|-------|
| 65468 | Swivel Plate Fixing Rubber Castor 50mm - 50kg. | £2.85 |
| 65473 | Swivel Plate Fixing Rubber Castor 75mm - 70kg. | £4.20 |
| 65478 | Swivel Plate Fixing Rubber Castor 100mm- 80kg  | £5.99 |
| 65469 | Sw/Plate Fixing R/Castor + Brake 50mm - 50kg.. | £3.30 |
| 65474 | Sw/Plate Fixing R/Castor + Brake 75mm - 70kg.. | £4.99 |
| 65479 | Sw/Plate Fixing R/Castor + Brake 100mm - 80kg  | £6.99 |

**FIXED PLATE RUBBER CASTOR** a range of rubber wheeled castor's with fixed plate fixing. Size listed is wheel diameter, the weight listed is the maximum S.W.L (safe working load). Sold individually.



| CODE  | TYPE  | PRICE |
|-------|---|-------|
| 65472 | Fixed Plate Rubber Castor 50mm - 50kg.....  | £1.99 |
| 65477 | Fixed Plate Rubber Castor 75mm - 70kg.....  | £3.99 |
| 65482 | Fixed Plate Rubber Castor 100mm - 80kg..... | £5.99 |

**SWIVEL BOLT FIXING POLYURETHANE CASTOR** a range of polyurethane wheeled castor's with 12mm swivel bolt fixing. High tear strength, up to ten times longer life than rubber wheels with good load carrying capacity. Size listed is wheel diameter, the weight listed is the maximum S.W.L (safe working load). Available with or without a brake. Sold individually.



| CODE  | TYPE  | PRICE  |
|-------|---|--------|
| 65510 | S/Bolt Fixing Polyurethane Castor 50mm - 50kg.. | £3.50  |
| 65515 | S/Bolt Fixing Polyurethane Castor 75mm - 70kg.. | £5.20  |
| 65520 | S/Bolt Fixing Polyurethane Castor 100mm-125kg   | £9.45  |
| 65516 | S/Bolt Polyurethane Castor +Brake 75mm - 70kg   | £7.30  |
| 65521 | S/Bolt Polyurethane Castor+Brake100mm-125kg     | £10.99 |

**SWIVEL PLATE FIXING POLYURETHANE CASTOR** a range of polyurethane wheeled castor's with swivel plate fixing. High tear strength, up to ten times longer life than rubber wheels with good load carrying capacity. Size listed is wheel diameter, the weight listed is the maximum S.W.L (safe working load). Available with or without a brake. Sold individually.



| CODE  | TYPE   | PRICE  |
|-------|--|--------|
| 65508 | Swivel Plate Polyurethane Castor 50mm - 50kg.. | £3.50  |
| 65513 | Swivel Plate Polyurethane Castor 75mm - 70kg.. | £4.90  |
| 65518 | Swivel Plate Polyurethane Castor 100mm-125kg   | £8.40  |
| 65514 | S/Plt Polyurethane Castor 75mm - 70kg + Brake. | £6.29  |
| 65519 | S/Plt Polyurethane Castor 100mm-125kg +Brake   | £10.35 |



# SQUIRES ELECTRONIC COMPONENTS

**FIXED PLATE POLYURETHANE CASTOR** a range of polyurethane wheeled castor's with fixed plate. High tear strength, up to ten times longer life than rubber wheels with good load carrying capacity. Size listed is wheel diameter, the weight listed is the maximum S.W.L (safe working load). Sold individually.



| CODE  | TYPE  | PRICE |
|-------|---|-------|
| 65512 | Fixed Plate Polyurethane Castor 50mm - 75kg.... | £2.35 |
| 65517 | Fixed Plate Polyurethane Castor 75mm - 100kg..  | £3.99 |
| 65522 | Fixed Plate Polyurethane Castor 100mm - 125kg   | £7.35 |

## ARIEL FIXING ACCESSORIES

**ALUMINIUM MAST** an aluminium mast 1.82m x 2.5cm (6' x 1").

| CODE    | TYPE                   | PRICE |
|---------|------------------------|-------|
| 04-0890 | Aluminium Mast 6'..... | £8.99 |

**HIGH STRENGTH ALUMINIUM MAST** a heavy duty aluminium mast. 1.82m x 3cm (6' x 1.25").

| CODE    | TYPE                                 | PRICE  |
|---------|--------------------------------------|--------|
| 04-0888 | High Strength Aluminium Mast 6'..... | £10.99 |

**CARAVAN EXTENSION MAST AND CLAMP** an extension mast constructed from 3 interlocking sections with a jockey wheel mount for caravan use. 2.7m (9').

| CODE    | TYPE                                   | PRICE  |
|---------|--|--------|
| 04-0856 | Caravan Extension Mast & Clamp 9'..... | £20.99 |

**WALL AND FACIA FIXING** complete with arm and bracket. 2 sizes available; 350mm/(14") and 760mm/(30").

| CODE    | TYPE                                 | PRICE |
|---------|--------------------------------------|-------|
| 04-0868 | Wall & Facia Fixing 350mm/(14")..... | £6.99 |
| 04-0870 | Wall & Facia Fixing 760mm/(30")..... | £8.99 |

**AERIAL TO MAST CLAMP** a replacement aerial to mast clamp. Supplied with V bolt.

| CODE    | TYPE                      | PRICE |
|---------|---------------------------|-------|
| 04-0842 | Aerial to Mast Clamp..... | £3.45 |

**BRACKET TO MAST V BOLT** a replacement 37mm/(1.5") V bolt for clamping masts up to 31mm/(1.25") diameter brackets.

| CODE    | TYPE                        | PRICE |
|---------|-----------------------------|-------|
| 04-0846 | Bracket to Mast V Bolt..... | £0.65 |

**HEAVY DUTY V BOLT** a replacement 62mm/(2.5") heavy duty V bolt for clamping masts heavy duty brackets.

| CODE    | TYPE                   | PRICE |
|---------|------------------------|-------|
| 04-0850 | Heavy Duty V Bolt..... | £0.99 |

**2 PIECE T AND K MOUNTING KITS** a range of heavy duty welded wall brackets complete with 2 x V bolts.



| CODE    | TYPE                                       | PRICE  |
|---------|--|--------|
| 04-0902 | 2 Piece T & K Bracket Kit 305mm/(12")..... | £20.99 |
| 04-0904 | 2 Piece T & K Bracket Kit 357mm/(18")..... | £24.99 |

**HEAVY DUTY CHIMNEY LASHING REPAIR KIT** supplied complete with:-  
1 x coil of lashing wire, 2 x H/Duty U bolts.  
2 x J bolts, 3 x corner plates



| CODE    | TYPE                                       | PRICE |
|---------|--|-------|
| 04-0874 | Heavy Duty Chimney Lashing Repair kit..... | £6.99 |

**CHIMNEY LASHING KIT WITH PRESSED BRACKET** supplied complete with:-  
1 x coil of lashing wire, 2 x V bolts  
2 x J bolts, 3 x corner plates  
1 x 6" pressed bracket



| CODE    | TYPE  | PRICE |
|---------|---|-------|
| 04-0878 | Chimney Lashing Kit with Pressed Bracket..... | £8.99 |

**CHIMNEY LASHING KIT WITH WELDED BRACKET** supplied complete with:-  
1 x coil of lashing wire, 2 x V bolts  
2 x J bolts, 3 x corner plates  
1 x 6" welded bracket



| CODE    | TYPE   | PRICE  |
|---------|--|--------|
| 04-0880 | Chimney Lashing Kit with Welded Bracket..... | £10.99 |

**HEAVY DUTY 13.5" CRADLE LASHING KIT** supplied complete with:-  
1 x coil of lashing wire, 2 x V bolts  
2 x J bolts, 3 x corner plates  
1 x 13.5" welded bracket



| CODE    | TYPE                                     | PRICE  |
|---------|--|--------|
| 04-0882 | Heavy Duty Cradle Lashing Kit 13.5"..... | £22.99 |

**WALL BRACKET KIT WB02** a heavy duty welded wall bracket complete with 2 x V bolts.



| CODE    | TYPE                       | PRICE |
|---------|----------------------------|-------|
| 04-0900 | WB02 Wall Bracket Kit..... | £7.99 |

**WHEN PLACING AN ORDER PLEASE  
USE THE FULL ORDER CODE  
INCLUDING ANY PUNCTUATION**

# SQUIRES MODEL & CRAFT TOOLS

## CD CARRY CASES

**CARRY CASE FOR 48 CD's** a robust padded CD/DVD wallet with tough nylon finish. Included are 12 pages of wallets which will hold up to 48 CD's. Each page has 4 plastic wallets with fabric lining to protect your CD's and safety lip to prevent the CD's from falling out. Heavy duty zip and strap.



| CODE    | TYPE                        | PRICE |
|---------|-----------------------------|-------|
| 04-0918 | Carry Case for 48 CD's..... | £4.99 |

**CARRY CASE FOR 96 CD's** a stylish CD/DVD wallet with imitation leather finish. Included are 24 pages of wallets which will hold up to 96 CD's, each page has 4 plastic wallets with fabric lining to protect your CD's and safety lip to prevent the CD's from falling out. The pages are secured with a metal three ring binder allowing quick and easy removal when sorting your CD collection. Zip and handstrap, ring binder holds the sleeves.



| CODE    | TYPE                        | PRICE |
|---------|-----------------------------|-------|
| 04-0915 | Carry Case for 96 CD's..... | £9.99 |

**CARRY CASE FOR 96 CD's** a stylish CD/DVD wallet with imitation leather finish. Included are 25 pages of wallets which will hold up to 200 CD's, each page has 8 plastic wallets with fabric lining to protect your CD's and safety lip to prevent the CD's from falling out. The pages are secured with a metal three ring binder allowing quick and easy removal when sorting your CD collection. Zip and handstrap, ring binder holds the sleeves.



| CODE    | TYPE                                      | PRICE  |
|---------|---|--------|
| 04-0912 | Carry Case for 200 CD's.....              | £15.99 |
| 04-0913 | Spare Inserts for 04-0912 Pack of 25..... | £3.99  |

**POST FREE DELIVERY ON ALL ORDERS  
WITHIN THE UNITED KINGDOM  
MINIMUM ORDER VALUE £15.00  
You may mix your order from  
ANY of our catalogues**

## CD FLIGHT CASES

**SLIMLINE ALUMINIUM FLIGHT CASE FOR 40 CD's** a robust slimline aluminium flight case for storing 40 CD's without cases. The case features internal padding, with separators for the CDs. The outside of the case is made from tough diamond patterned aluminium with curved extrusions and chrome plated steel corners and hardware. Ideal for the mobile DJ etc.



| CODE    | TYPE   | PRICE  |
|---------|--|--------|
| 04-0052 | Slimline Aluminium CD Flight Case for 40 CD's... | £13.99 |

**ALUMINIUM CD FLIGHT CASES** a range of robust aluminium flight cases for storage of CD's in their cases. The case features internal padding, with separators for the CDs. The outside of the case is made from tough diamond patterned aluminium with curved extrusions and chrome plated steel corners and hardware. The catches secure the removable lid and can be locked using the keys provided, the carry handle has cushioning for comfort. Ideal for the mobile DJ. A range of cases holding 40, 60, 80, 96 and 120 CD's are available.



### **Dimensions (mm)**

- 04-0058** - 430 x 180 x 260mm
- 04-0065** - 430 x 180 x 330mm
- 04-0060** - 430 x 180 x 380mm
- 04-0066** - 570 x 180 x 400mm

| CODE    | TYPE                                       | PRICE  |
|---------|--|--------|
| 04-0058 | Aluminium CD Flight Case for 60 CD's.....  | £42.99 |
| 04-0065 | Aluminium CD Flight Case for 80 CD's.....  | £46.99 |
| 04-0060 | Aluminium CD Flight Case for 96 CD's.....  | £54.99 |
| 04-0066 | Aluminium CD Flight Case for 120 CD's..... | £66.99 |

## PRODUCT CODES

**PLEASE NOTE - IT IS VERY IMPORTANT  
TO USE THE CORRECT PRODUCT CODE  
FOR THE ITEMS YOU WISH TO ORDER**

**IT IS VITAL TO INCLUDE THE PUNCTUATION  
IN THE CODE AND TO FORMAT THE CODE  
AS SHOWN IN THE CATALOGUE**